

INSTALLER: LEAVE THIS MANUAL WITH THE APPLIANCE.  
 CONSUMER: RETAIN THIS MANUAL FOR FUTURE REFERENCE.  
 NEVER LEAVE CHILDREN OR OTHER AT RISK INDIVIDUALS ALONE WITH THE APPLIANCE.

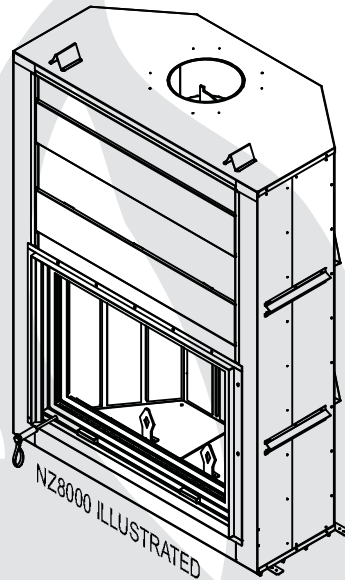


# INSTALLATION AND OPERATING INSTRUCTIONS

THIS APPLIANCE HAS BEEN SAFETY TESTED AND LISTED BY INTERTEK TESTING SERVICES LTD. AS PER THE STANDARDS: ULC S610, UL 127 U.S.



## NZ7000 / NZ8000 LOW MASS FIREPLACE



### SAFETY INFORMATION

#### **WARNING**

If the information in these instructions are not followed exactly, a fire or explosion may result causing property damage, personal injury or death.

Please read entire manual before you install and use your fireplace.

This fireplace has not been tested with an unvented gas log set. To reduce risk of fire or injury, do not install an unvented gas log set into the appliance.

- This appliance can be very hot when burning.
- Combustible materials such as firewood, wet clothing, etc. placed too close can catch fire.
- Children and pets must be kept from touching the appliance when it is hot.
- The chimney must be sound and free of cracks. Before installing this unit, contact the local building or fire authority and follow their guidelines.
- Burn wood behind the log retainer directly on the firebricks.
- Do not use an elevated grate or otherwise raise the fire.
- This appliance is designed to burn natural wood only. Lower emissions generally result when burning air dried seasoned hardwoods, as compared to softwoods or to green or freshly cut hardwoods.
- Do not start a fire with chemicals or fluids such as gasoline, engine oil, etc.
- Do not burn treated wood, coal, charcoal, coloured paper, cardboard, solvents or garbage.
- Do not let the appliance become hot enough for any part to glow red.

#### **WARNING**

**HOT GLASS WILL CAUSE BURNS.**

**DO NOT TOUCH GLASS UNTIL COOLED.**

**NEVER ALLOW CHILDREN TO TOUCH GLASS.**



Wolf Steel Ltd., 24 Napoleon Rd., Barrie, ON, L4M 0G8 Canada /  
 103 Miller Drive, Crittenden, Kentucky, USA, 41030

Phone (705)721-1212 • Fax (705)722-6031 • www.napoleonfireplaces.com • hearth@napoleonproducts.com

\$10.00

1.44A

W415-1642 / 04.15.16

EN

FR  
PG  
47

# TABLE OF CONTENTS

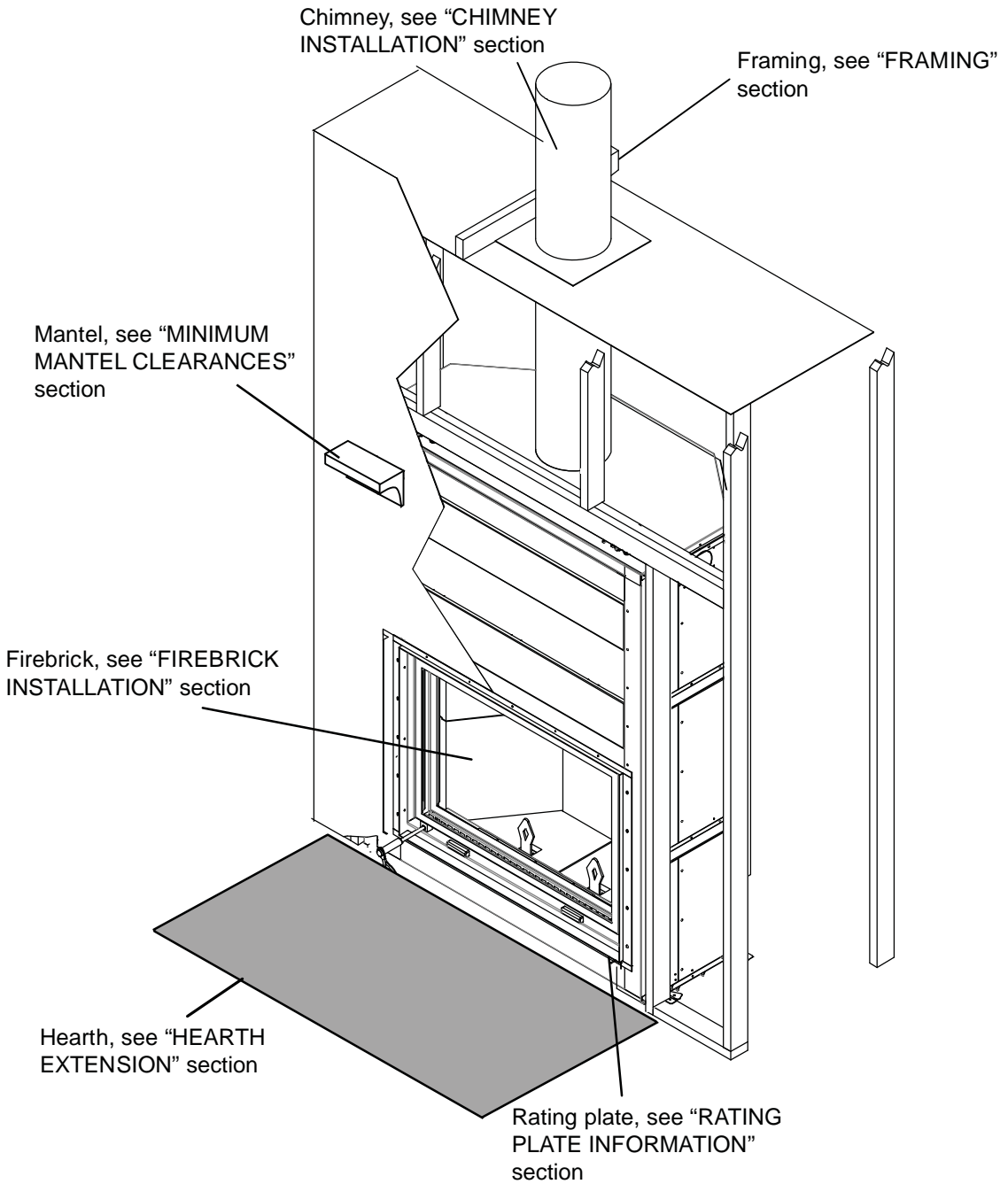
<b>1.0</b>	<b>INSTALLATION OVERVIEW</b>	<b>3</b>
<b>2.0</b>	<b>INTRODUCTION</b>	<b>4</b>
2.1	DIMENSIONS	5
2.2	GENERAL INSTRUCTIONS	6
2.3	GENERAL INFORMATION	8
2.3.1	FEATURES	8
2.3.2	THIS CORDWOOD FUEL FIREPLACE	8
2.3.3	PACKING LIST	8
2.4	RATING PLATE INFORMATION	9
<b>3.0</b>	<b>INSTALLATION PLANNING</b>	<b>10</b>
3.1	LOCATION AND CLEARANCES	11
3.1.1	VENTILATION OPENINGS	11
3.2	OUTSIDE COMBUSTION AIR	12
3.3	FLOOR PROTECTION	13
3.3.1	EMBER STRIP AND HEARTH EXTENSIONS	13
3.3.2	HEARTH EXTENSION	14
3.3.3	HEARTH EXAMPLES	15
<b>4.0</b>	<b>INSTALLATION</b>	<b>16</b>
4.1	CHIMNEY	16
4.2	TYPICAL CHIMNEY INSTALLATION	17
4.3	ADDING CHIMNEY SECTIONS	18
4.4	OFFSET CHIMNEY INSTALLATION	19
4.5	INSTALLING FLASHING AND STORM COLLAR	20
4.6	AIR COOLED CHIMNEY INSTALLATION	20
<b>5.0</b>	<b>FRAMING</b>	<b>21</b>
5.1	FINISHING MATERIAL	22
5.2	MINIMUM CLEARANCE TO COMBUSTIBLES	23
5.3	MINIMUM ENCLOSURE CLEARANCES	23
5.4	MINIMUM MANTEL CLEARANCES	24
<b>6.0</b>	<b>FINISHING</b>	<b>25</b>
6.1	DOOR & SCREEN OPERATION	25
6.2	DOOR GLASS REPLACEMENT	26
6.3	SCREEN REPLACEMENT	27
6.4	BALANCE WEIGHT ADJUSTMENT	28
6.5	FIREBRICK INSTALLATION AND DAMPER OPERATION	29
6.6	SMOKE CHAMBER INSULATION PANEL REPLACEMENT	30
<b>7.0</b>	<b>SELECTING WOOD</b>	<b>31</b>
<b>8.0</b>	<b>OPERATION</b>	<b>32</b>
8.1	OPERATING SOUNDS AND SMELLS	32
8.2	STARTING A FIRE	33
8.3	FIRE EXTINGUISHERS / SMOKE DETECTORS & CARBON MONOXIDE DETECTORS	34
8.4	FUEL LOADING AND BURN CYCLE	34
8.5	STARTING THE FIRE (DAMPER OPEN)	35
8.6	SMOKING	36
<b>9.0</b>	<b>MAINTENANCE</b>	<b>36</b>
9.1	ASH REMOVAL PROCEDURES	36
9.2	CREOSOTE FORMATION AND REMOVAL	37
9.3	RUN-AWAY OR CHIMNEY FIRE	37
9.4	CHIMNEY CLEANING	37
9.5	CARE OF GLASS	38
<b>10.0</b>	<b>REPLACEMENTS</b>	<b>39</b>
<b>11.0</b>	<b>TROUBLESHOOTING</b>	<b>44</b>
<b>12.0</b>	<b>WARRANTY</b>	<b>45</b>

**NOTE:** Changes, other than editorial, are denoted by a vertical line in the margin.

# 1.0 INSTALLATION OVERVIEW

**! WARNING**

THIS APPLIANCE AND ITS COMPONENTS ARE DESIGNED TO BE INSTALLED AND OPERATED AS A SYSTEM. ANY ALTERATION TO OR SUBSTITUTION FOR ITEMS IN THIS SYSTEM, UNLESS ALLOWED BY THESE INSTALLATION INSTRUCTIONS, WILL VOID THE ETL LISTING AND MAY VOID THE PRODUCT WARRANTY. IT MAY ALSO CREATE A HAZARDOUS INSTALLATION. READ THROUGH THESE INSTRUCTIONS THOROUGHLY BEFORE STARTING YOUR INSTALLATION AND FOLLOW THEM CAREFULLY THROUGHOUT YOUR PROJECT.



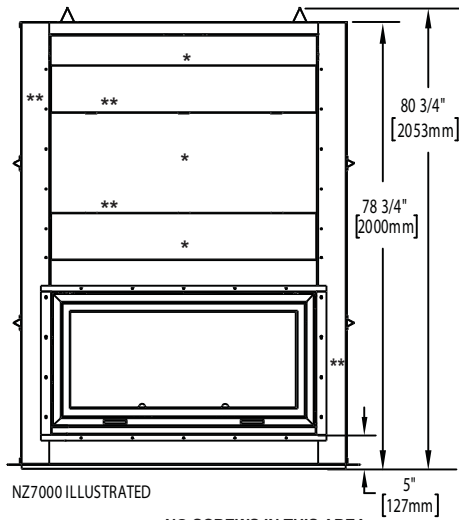
## 2.0 INTRODUCTION

**! WARNING**

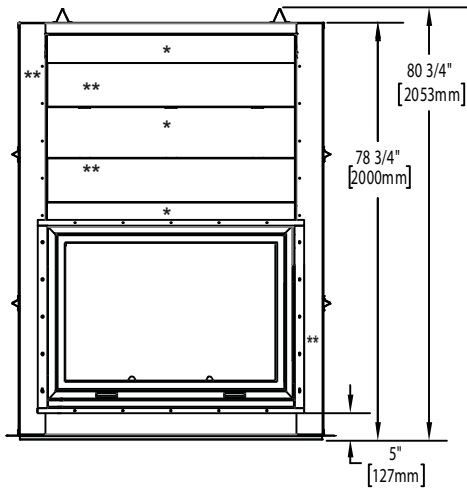
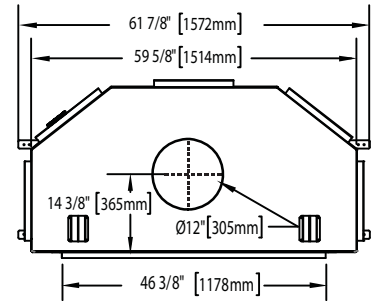
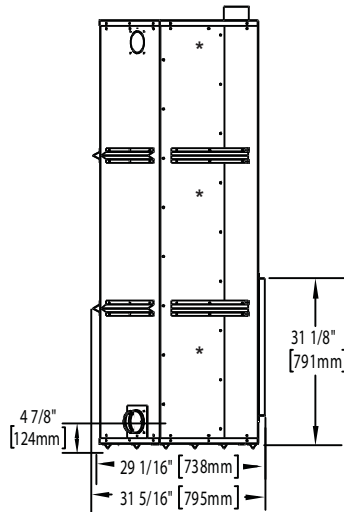
EN

- **THIS APPLIANCE IS HOT WHEN OPERATED AND CAN CAUSE SEVERE BURNS IF CONTACTED.**
- **ANY CHANGES OR ALTERATIONS TO THIS APPLIANCE OR ITS CONTROLS CAN BE DANGEROUS AND IS PROHIBITED.**
- Do not operate appliance before reading and understanding operating instructions. Failure to operate appliance according to operating instructions could cause fire or injury.
- Before installing this appliance, contact the local building or fire authority and follow their guidelines.
- This appliance must be installed by a qualified installer.
- Risk of burns. The appliance should be turned off and cooled before servicing.
- Do not operate without fully assembling all components.
- Do not let the appliance become hot enough for any part to glow red.
- Do not install damaged, incomplete or substitute components.
- Risk of cuts and abrasions. Wear protective gloves and safety glasses during installation. Sheet metal edges may be sharp.
- Children and adults should be alerted to the hazards of high surface temperature and should stay away to avoid burns or clothing ignition.
- Young children should be carefully supervised when they are in the same room as the appliance. Toddlers, young children and others may be susceptible to accidental contact burns. A physical barrier is recommended if there are at risk individuals in the house. To restrict access to an appliance or stove, install an adjustable safety gate to keep toddlers, young children and other at risk individuals out of the room and away from hot surfaces.
- Clothing or other flammable material should not be placed on or near the appliance. Objects placed in front of the appliance must be kept a minimum of 48" (1219.2mm) away from the front face of the appliance.
- Due to high temperatures, the appliance should be located out of traffic and away from furniture and draperies.
- Ensure you have incorporated adequate safety measures to protect infants/toddlers from touching hot surfaces.
- Even after the appliance is out, the glass and/or screen will remain hot for an extended period of time.
- Check with your local hearth specialty dealer for safety screens and hearth guards to protect children from hot surfaces. These screens and guards must be fastened to the floor.
- Any safety screen or guard removed for servicing must be replaced prior to operating the appliance.
- Under no circumstances should this appliance be modified.
- This appliance must not be connected to a chimney flue pipe servicing a separate solid fuel burning appliance.
- Do not operate the appliance with the glass door removed, cracked or broken. Replacement of the glass should be done by a licensed or qualified service person.
- Do not strike or slam shut the appliance glass door.
- Only doors / optional fronts certified with the unit are to be installed on the appliance.
- Keep the packaging material out of reach of children and dispose of the material in a safe manner. As with all plastic bags, these are not toys and should be kept away from children and infants.
- If the appliance is not properly installed, a house fire may result. Do not expose the appliance to the elements (ex. rain, etc.) and keep the appliance dry at all times. Wet insulation will produce an odour when the appliance is used.
- The chimney must be sound and free of cracks. Clean your chimney a minimum of twice a year and as required.
- Do not start a fire with chemicals or fluids such as gasoline, engine oil, etc.
- Your appliance requires periodic maintenance and cleaning. Failure to maintain your appliance may lead to smoke spillage in your home.
- Lower emissions generally result when burning air dried seasoned hardwoods, as compared to softwoods or too green or freshly cut hardwoods. Burning wet unseasoned wood can cause excessive creosote accumulation. When this is ignited it can cause a chimney fire that may result in a serious house fire.
- This appliance is designed to burn natural wood only. Do not burn trash or garbage, lawn clippings / waste, rubber, waste petroleum products, paints or paint thinners / solvents, plastic, materials containing asbestos, construction debris, railroad ties or treated wood, manure or animal remains, salt water driftwood or salted materials, unseasoned wood, coal, charcoal, coloured paper, cardboard, plywood or particleboard. Burning these materials may result in release of toxic fumes or render the appliance ineffective and cause smoke.
- Burn wood directly on the firebricks. Do not elevate grate or otherwise raise the fire.
- Do not store wood within appliance installation clearances or within the space required for re-fueling and ash removal.
- Ashes must be disposed in a metal container with a tight lid and placed on a non-combustible surface well away from the home or structure until completely cool.
- Ensure clearances to combustibles are maintained when building a mantel or shelves above the appliance. Elevated temperatures on the wall or in the air above the appliance can cause melting, discolouration or damage to decorations, a T.V. or other electronic components.
- If equipped, the catalyst must be installed and in good working order. It is recommended that the catalyst is inspected at least 3 times per heating season.

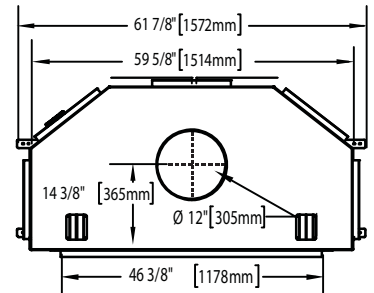
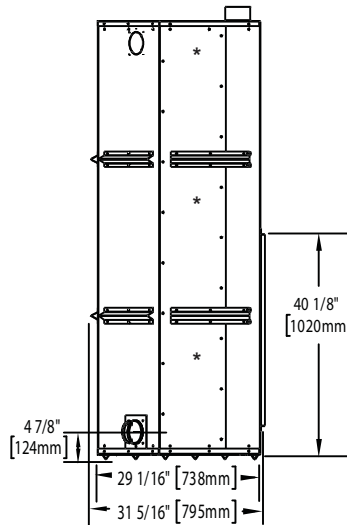
## 2.1 DIMENSIONS



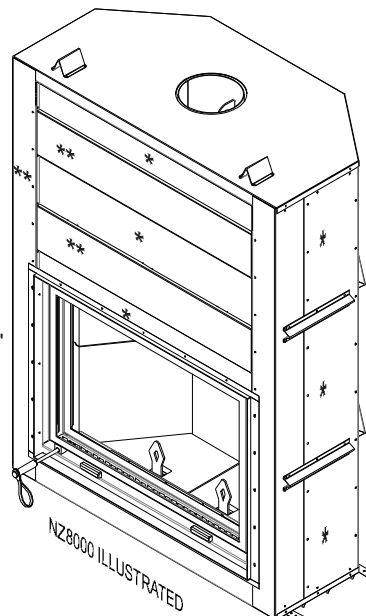
\* NO SCREWS IN THIS AREA  
 \*\* SCREWS MUST NOT PENETRATE MORE THAN 1/2" IN LENGTH IN THIS AREA



\* NO SCREWS IN THIS AREA  
 \*\* SCREWS MUST NOT PENETRATE MORE THAN 1/2" IN LENGTH IN THIS AREA



\* NO SCREWS IN THIS AREA  
 \*\* SCREWS MUST NOT PENETRATE MORE THAN 1/2" IN LENGTH IN THIS AREA



## 2.2 GENERAL INSTRUCTIONS

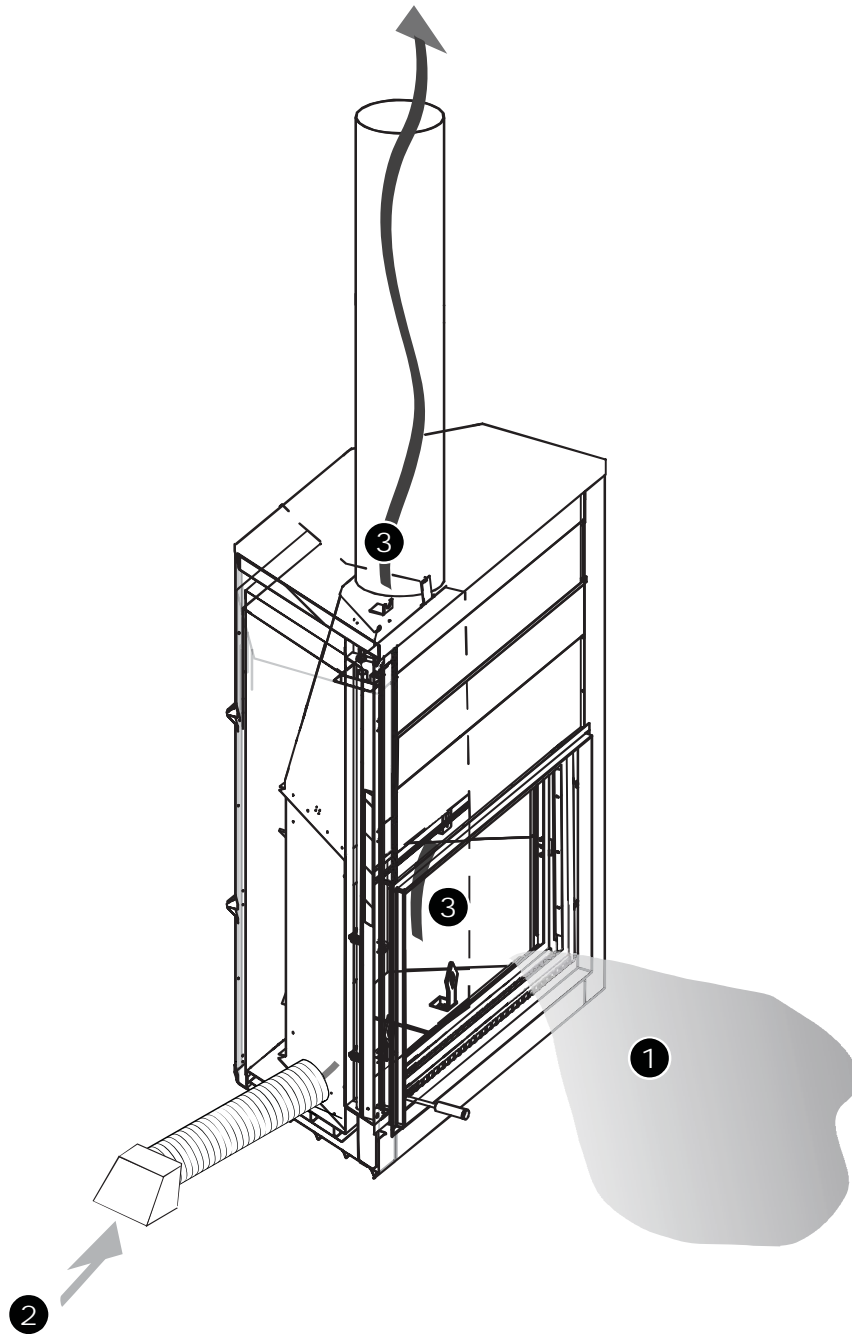
<b>! WARNING</b>
<b>BEFORE INSTALLING THIS APPLIANCE, CONTACT THE LOCAL BUILDING OR FIRE AUTHORITY AND FOLLOW THEIR GUIDELINES.</b>
<b>THIS APPLIANCE MUST BE INSTALLED BY A QUALIFIED INSTALLER. FOLLOW THE INSTALLATION DIRECTIONS. DO NOT OPERATE WITHOUT FULLY ASSEMBLING ALL COMPONENTS.</b>
<b>IF THIS APPLIANCE IS NOT PROPERLY INSTALLED, A HOUSE FIRE MAY RESULT.</b>
<b>DO NOT EXPOSE THE APPLIANCE TO THE ELEMENTS (EX. RAIN, ETC.) AND KEEP THE APPLIANCE DRY AT ALL TIMES. WET INSULATION WILL PRODUCE AN ODOUR WHEN THE APPLIANCE IS USED.</b>
<b>THIS APPLIANCE IS HOT WHEN OPERATED AND CAN CAUSE SEVERE BURNS IF CONTACTED. CHILDREN AND PETS MUST BE KEPT FROM TOUCHING THE APPLIANCE WHEN IT IS HOT. CONTACT YOUR LOCAL AUTHORIZED DEALER / DISTRIBUTOR FOR SAFETY SCREENS THAT MAY BE AVAILABLE FOR THIS PRODUCT.</b>
<b>COMBUSTIBLE MATERIAL SUCH AS FIREWOOD, WET CLOTHING, ETC. PLACED TOO CLOSE CAN CATCH FIRE. OBJECTS PLACED IN FRONT OF THE APPLIANCE MUST BE KEPT A MINIMUM OF 48" (1219.2MM) FROM THE FRONT OF THE APPLIANCE.</b>
<b>ALL WIRING SHOULD BE DONE BY A QUALIFIED ELECTRICIAN AND SHALL BE IN COMPLIANCE WITH LOCAL CODES AND WITH THE NATIONAL ELECTRIC CODE ANSI/NF NO. 70-CURRENT (IN THE UNITED STATES), OR WITH THE CURRENT CSA C22.1 CANADIAN ELECTRIC CODE (IN CANADA).</b>

**NOTE:** It is recommended to test the listed components below before installation:

- Doors
- Balance weights
- Louvre for air intake

All components should be in good operating condition before the unit is installed.

1. Combustion air is brought into the appliance through the slots and around the glass door or through the screen.
2. A single air control regulates the amount of the outside air introduced to the unit.
3. Inside the firebox, combustion takes place and exhausts out the chimney.



## 2.3 GENERAL INFORMATION

### 2.3.1 FEATURES

- Depending on the loading method and size of log, maximum length of 32" (813mm).
- Large glass door for maximum visibility.
- Fully refractory lined firebox.
- Closable outside air for combustion.
- Closable damper.
- Shipping weight 1150lbs (521kg).
- Flue outlet diameter 12" (304.8mm).
- Max fuel load 60lbs (27kg).
- Max fuel height, halfway or top of the first firebrick.

### 2.3.2 THIS CORDWOOD FUEL FIREPLACE

#### **! WARNING**

**DO NOT LET THE APPLIANCE BECOME HOT ENOUGH FOR ANY PART TO GLOW RED.**

Approximate Heating Capacity up to 1,000 square feet (92 square meters).

### 2.3.3 PACKING LIST

#### **Shipped with appliance:**

Installation manual  
Ember Strip

THIS APPLIANCE HAS BEEN EPA QUALIFIED.

#### **CALIFORNIA PROP 65 WARNING:**

**Use of this product may produce smoke which contains chemicals known to the State of California to cause cancer, birth defects, or other reproductive harm.**

**Do not use makeshift compromises during installation. Do not block or restrict air, grille or louver openings! Do not add a hood.**

**Burning your appliance with the door open or ajar creates a fire hazard that may result in a house and/or chimney fire.**

**All venting connections must be in compliance with the chimney manufacturers installation instructions. Clearances referred to throughout this manual are the minimum requirements.**

**Your appliance must be installed in accordance with all national and local building code standards and the standard of Chimney and Appliances, Vents and Solid Fuel Burning Appliances NFPA #211. Consult the authority having jurisdiction (such as municipal building department, fire department, fire prevention bureau, etc.) to determine the need to obtain a permit. If you are in doubt about the proper installation for your situation, contact your dealer or local building or fire official. The manufacturer does not guarantee that this appliance and its options will completely heat your entire home.**

**Expansion / contraction noises during heating up and cooling down cycles are normal and to be expected.**

**It is recommended that in all cases, the appliance be secured to the floor. Use the pallet packing brackets to accomplish this.**



We suggest that our woodburning hearth products be installed and serviced by professionals who are certified in the U.S. by the National Fireplace Institute® (NFI) as NFI Woodburning Specialists or who are certified in Canada by Wood Energy Technical Training (WETT).

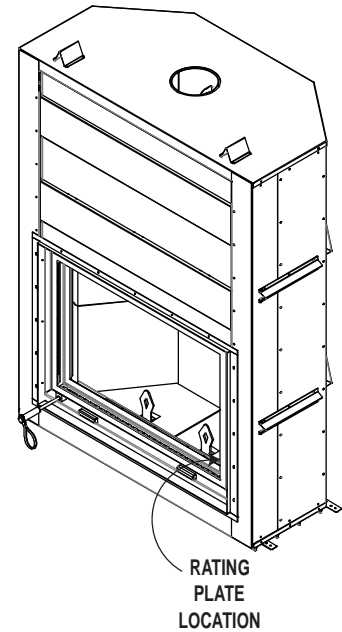







## 2.4 RATING PLATE INFORMATION

Rating plate is located behind the faceplate door. Hardware on the right.

This illustration is for reference only. Refer to the rating plate on the appliance for accurate information.



		CERTIFIED TO / CERTIFIÉ SELON: ULC-S610, UL-127 9700539 (WSL) 4001657 (NGZ) 4001658 (NAC) 4001659 (WUSA)		MODEL/ N° DE MODÈLE <b>NZ7000</b>		MODEL/ N° DE MODÈLE <b>NZ8000</b>	
		LISTED FACTORY BUILT FIREPLACE . FOYER PRÉ-FABRIQUÉ HOMOLOGUÉ. LOW MASS WOOD BURNING FIREPLACE FOYER S AU BOIS À FAIBLE MASSE					
INSTALL AND USE ONLY IN ACCORDANCE WITH WOLF STEEL LTD. INSTALLATION INSTRUCTIONS AND OWNER'S MANUAL. CONTACT LOCAL BUILDING OR FIRE OFFICIALS ABOUT RESTRICTIONS AND INSTALLATION INSPECTION IN YOUR AREA. DO NOT CONNECT THIS UNIT TO A CHIMNEY SERVING ANOTHER APPLIANCE.							
POUR INSTALLATION ET UTILISATION CONFORMÉMENT AUX MANUEL WOLF STEEL LTD. RENSEIGNEZ-VOUS AUPRÈS DES AUTORITÉS LOCALES DU BÂTIMENT OU DU SERVICE DES INCENDIES AU SUJET DES RESTRICTIONS ET DES INSPECTIONS D'INSTALLATION DANS VOTRE RÉGION. NE PAS RACCORDER À LA CHEMINÉE D'UN AUTRE APPAREIL.							
Use Solid wood, processed solid fuel fire logs (or other specified type) fuel only. / Utilisez du bois massif, transformés solides bûches de combustible (ou un autre type spécifié) combustible seulement.							
<b>WARNING:</b> • For use with doors fully opened and doors fully closed. Replace ceramic glass only with ceramic glass obtained from the dealer and certified for use with this appliance. • Not for use in a Mobile Home.							
<b>AVERTISSEMENT:</b> • Pour une utilisation avec les portes complètement ouvertes et complètement fermées. Remplacer verre céramique seulement uniquement avec verre céramique obtenue auprès du concessionnaire et certifiés pour une utilisation avec cet appareil.							
<b>WARNING: THIS APPLIANCE HAS NOT BEEN TESTED WITH AN UNVENTED GAS LOG SET. TO REDUCE RISK OF FIRE OR INJURY, DO NOT INSTALL AN UNVENTED GAS LOG SET INTO APPLIANCE. / AVERTISSEMENT: CET APPAREIL N'A PAS ÉTÉ TESTÉ AVEC DES BÛCHES À GAZ. POUR RÉDUIRE LES RISQUES D'INCENDIE OU DE BLESSURES, NE PAS INSTALLER UN BÛCHES À GAZ EN APPAREIL.</b>							
Do not use a fireplace insert or other products not specified for use with this product. / Ne utiliser pas un insert de cheminée ou d'autres produits non spécifiés pour l'utilisation avec ce produit.							
<b>COMPONENTS REQUIRED FOR INSTALLATION:</b> SHIPPED WITH THE FIREPLACE: INSTALLATION MANUAL, EMBER STRIP NOT SHIPPED WITH THE FIREPLACE: REFRACTORY BRICKS							
<b>CHIMNEY REQUIREMENTS (see installation manual):</b> Chimney must be certified to one of the following standards: ULC-S629, ULC-S604, ULC-S610 for Canada or UL-103HT, UL-103 for the United States. Air cooled chimney: Use DuraVent DuraChimney II.							
<b>MINIMUM CHIMNEY HEIGHT (FROM TOP OF APPLIANCE)</b>		12 ft (3.66m)	<b>MAXIMUM # OF ELBOWS</b>		4		
<b>MAXIMUM CHIMNEY HEIGHT</b>		40 ft (12.1 m)	<b>FLUE COLLAR</b>		12"ø		
<b>MAXIMUM OFFSET ANGLE</b>		30° US - 45° CANADA	<b>MIN. CHIMNEY DIAMETER</b>		10"ø		
<b>COMPOSANTS REQUIS POUR L'INSTALLATION:</b> LIVRÉ AVEC LE FOYER: MANUEL D'INSTRUCTIONS, PARE-BRAISES NE LIVRÉ AVEC LE FOYER: BRIQUE RÉFRACTAIRE							
<b>EXIGENCES POUR LA CHEMINÉE (voir le manuel d'instructions)</b> La cheminée doit être certifiée selon l'une des normes suivantes : ULC-S629, ULC-S604, ULC-S610 pour le Canada ou selon les normes UL-103HT, UL-103 pour les États-Unis. Cheminée refroidie à l'air: Utilisez DuraVent DuraChimney II.							
<b>HAUTEUR MINIMALE DE LA CHEMINÉE (DE HAUT DE APPLIANCE)</b>		12 pi (3,66m)	<b># MAXIMAL DE COUDES:</b>		4		
<b>HAUTEUR MAXIMALE DE LA CHEMINÉE</b>		40 pi (12,1 m)	<b>BUSE D'ÉVACUATION:</b>		12"ø		
<b>ANGLE DE DÉVIATION MAXIMAL</b>		30° US - 45° CANADA	<b>MIN. CHEMINÉE DIAMÈTRE:</b>		10"ø		
PREVENT CREOSOTE FIRE: INSPECT CHIMNEY AND CHIMNEY CONNECTOR, IF APPLICABLE, TWICE MONTHLY AND CLEAN IF NECESSARY. DO NOT OVERFIRE: IF EXTERIOR OF UNIT GLOWS RED, YOU ARE OVERFIRING. KEEP FURNISHINGS AND OTHER COMBUSTIBLE MATERIALS A CONSIDERABLE DISTANCE AWAY FROM APPLIANCE. TYPE OF FUEL: SOLID WOOD ONLY. / PRÉVENIR LES FEUX DE CREOSOTE: INSPECTEZ LA CHEMINÉE OU LE RACCORD DE CHEMINÉE, SI APPLICABLE, DEUX FOIS PAR MOIS ET NETTOYEZ SI NECESSAIRE. NE SURCHAUFFEZ PAS: SI L'EXTERIEUR DE L'UNITÉ DEVIENT ROUGE, VOUS SURCHAUFFEZ. GARDEZ LES MEUBLES ET AUTRES MATÉRIELS COMBUSTIBLES À UNE DISTANCE CONSIDÉRABLE DE L'APPAREIL DE CHAUFFAGE. TYPE DE COMBUSTIBLE: SOLIDE BOIS SEULEMENT.							
<b>IMPORTANT: BEFORE COMMENCING INSTALLATION REFER TO THE LABEL LOCATED ON UNIT AND TO THE MANUFACTURER'S INSTALLATION INSTRUCTIONS PACKAGED TOGETHER WITH THIS UNIT. THE INSTALLATION MUST BE APPROVED BY THE AUTHORITY HAVING JURISDICTION / AVANT DE COMMENCER L'INSTALLATION, RÉFÉREZ-VOUS À L'ÉTIQUETTE QUI SE TROUVE SUR L'UNITÉ AINSI QU'ÀUX INSTRUCTIONS D'INSTALLATION DU MANUFACTURIER FOURNIES AVEC L'UNITÉ. L'INSTALLATION DOIT ÊTRE APPROUVÉE PAR L'AUTORITÉ COMPÉTENTE.</b>							
		<b>WOLF STEEL</b> <sup>TM</sup> 24 NAPOLEON ROAD, BARRIE, ONTARIO L4M 9S8 CANADA		<b>NZ7000 / NZ8000</b>		W385-2141 / B	

**NOTE:** The rating plate must remain with the appliance at all times. It must not be removed.

## 3.0 INSTALLATION PLANNING

<b>! WARNING</b>
<b>WEAR GLOVES AND SAFETY GLASSES FOR PROTECTION.</b>
<b>CAREFULLY FOLLOW THE INSTRUCTIONS FOR ASSEMBLY OF THE PIPE AND OTHER PARTS NEEDED TO INSTALL THE APPLIANCE. FAILURE TO DO SO MAY RESULT IN A FIRE, ESPECIALLY IF COMBUSTIBLES ARE TOO CLOSE TO THE APPLIANCE OR CHIMNEY AND AIR SPACES ARE BLOCKED, PREVENTING THE FREE MOVEMENT OF COOLING AIR.</b>
<b>DO NOT DRAW OUTSIDE AIR FROM GARAGE SPACES. EXHAUST PRODUCTS OF GASOLINE ENGINES ARE HAZARDOUS.</b> <b>DO NOT INSTALL OUTSIDE AIR DUCTS SUCH THAT THE AIR MAY BE DRAWN FROM ATTIC SPACES, BASEMENTS OR ABOVE THE ROOFING WHERE OTHER HEATING APPLIANCES OR FANS AND CHIMNEYS EXHAUST OR UTILIZE AIR. THESE PRECAUTIONS WILL REDUCE THE POSSIBILITY OF APPLIANCE SMOKING OR AIR FLOW REVERSAL. THE OUTSIDE AIR INLET MUST REMAIN CLEAR OF LEAVES, DEBRIS ICE AND/OR SNOW. IT MUST BE UNRESTRICTED WHILE APPLIANCE IS IN USE TO PREVENT ROOM AIR STARVATION WHICH CAN CAUSE SMOKE SPILLAGE AND AN INABILITY TO MAINTAIN A FIRE. SMOKE SPILLAGE CAN ALSO SET OFF SMOKE ALARMS.</b>
<b>NEGATIVE PRESSURE WITHIN YOUR HOME MAY INADVERTENTLY AFFECT YOUR APPLIANCE.</b>
<b>TO PREVENT CONTACT WITH SAGGING OR LOOSE INSULATION, THE APPLIANCE MUST NOT BE INSTALLED AGAINST VAPOUR BARRIERS OR EXPOSED INSULATION. LOCALIZED OVERHEATING COULD OCCUR AND A FIRE COULD RESULT.</b>
<b>DO NOT USE MAKESHIFT COMPROMISES DURING INSTALLATION. DO NOT BLOCK OR RESTRICT AIR, GRILLE OR LOUVRE OPENINGS. DO NOT ADD A HOOD.</b>
<b>KEEP HAND TOOLS IN GOOD CONDITION, SHARPEN CUTTING EDGES AND MAKE SURE TOOL HANDLES ARE SECURE.</b>
<b>ALWAYS MAINTAIN THE MINIMUM AIR SPACE REQUIRED TO THE ENCLOSURE TO PREVENT FIRES.</b>
<b>THIS FIREPLACE IS NOT MEANT FOR ANY FIREPLACE INSERT OR OTHER PRODUCTS NOT SPECIFIED FOR USE WITH THIS FIREPLACE.</b>
<b>USE ONLY NONCOMBUSTIBLE MATERIAL TO FINISH THE FACE OF THE FIREPLACE</b>
<b>ONLY USE MATERIAL LISTED IN THE REPLACEMENT PARTS SECTION.</b>
<b>KEEP FLAMMABLE LIQUIDS SUCH AS GASOLINE, KEROSENE LIGHTER FLUIDS OR OTHER SIMILAR LIQUIDS AWAY FROM THE FIREPLACE.</b>

68.3B

### 3.1 LOCATION AND CLEARANCES

#### **! WARNING**

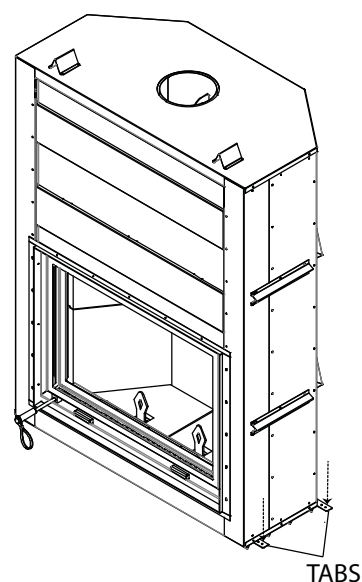
**DO NOT INSTALL INTO ANY AREA HAVING A HEIGHT LESS THAN 8 FEET (2.4M) (CEILING OF ENCLOSURE TO APPLIANCE BOTTOM, EXCLUDING HEARTH HEIGHT).**

#### **IMPORTANT**

This appliance, fully dressed, weighs 1400lbs (635kg). Ensure there is adequate floor support for the appliance, chimney and facing material. Some material could weigh thousands of pounds.

**We recommend that the appliance be secured to the floor in all cases.**

Using the door opening as a datum, level the appliance by shimming underneath the appliance. Bend the tabs down and secure the appliance to the floor.



#### 3.1.1 VENTILATION OPENINGS

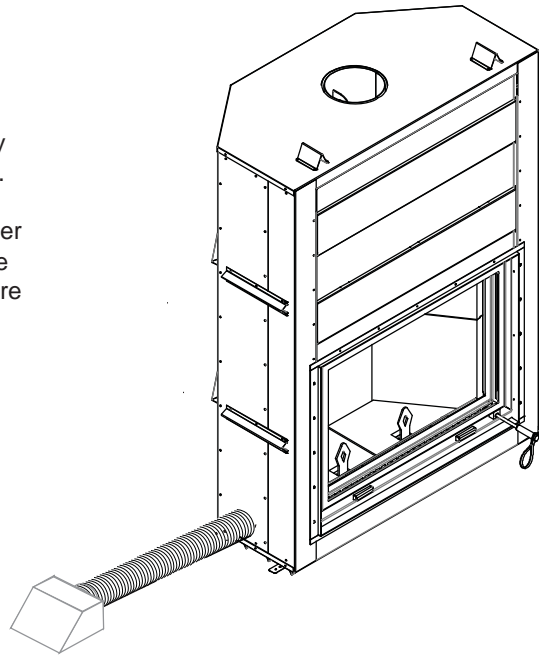
The appliance enclosure should be provided with sufficient air circulation to avoid a fire hazard. Install ventilation grilles (minimum openings of 40 sq. inches (0.03 sq. meters) at both floor and ceiling levels of the enclosure. These grilles must not restrict the flow of heat by more than 25%. Do not install into any area having a height less than 8 ft (2.4m) (ceiling of enclosure to appliance bottom, excluding hearth height). The location of windows, doors and the traffic flow in the room where the stove is to be located should be considered. If possible, you should choose a location where the chimney will pass through the house without cutting a floor or roof joist.

### 3.2 OUTSIDE COMBUSTION AIR

Insulating the intake liner is recommended in colder climates to prevent condensation from occurring.

The Napoleon Model NZ8000 takes outside air directly into the appliance through the opening on the left side.

The fresh air inlet duct and hood must be installed lower than the firebox. Secure and seal the intake liner to the collar using 3 sheet metal screws, and high temperature sealant.



The duct inlet must be located so they can not be blocked (i.e. snowdrifts). 12" (305mm) above grade is recommended. Make a 4 ½" (114mm) inch hole to suit in an outside wall of the house. From outside, place the fresh air hood into the hole, open side down. Seal with caulking and secure.

### 3.3 FLOOR PROTECTION

#### 3.3.1 EMBER STRIP AND HEARTH EXTENSIONS

## ! WARNING

**HEARTH EXTENSIONS ARE TO BE INSTALLED ONLY AS DESCRIBED TO PREVENT HIGH TEMPERATURES FROM OCCURRING ON CONCEALED COMBUSTIBLE MATERIALS. HEARTH EMBER STRIPS PREVENT BURNING OR HOT PARTICLES FROM INADVERTENTLY FALLING DIRECTLY ON COMBUSTIBLE SURFACES IN THE EVENT THE BUILDING SHOULD SETTLE AND DISTURB THE ORIGINAL CONSTRUCTION.**

An acceptable 70" (1778mm) x 20" (508mm) non-combustible (ie: brick, stone or ceramic tile) hearth extension must be installed. Hearth must extend 20" (508mm) in front of the faceplate when it is not elevated (see local building codes). Hearth must extend a minimum of 12" (305mm) to both sides of the appliance door opening.

The hearth must extend a minimum 20" (508mm) in front of the appliance although if raised a minimum of 6 1/2" (165mm) the 20" (508mm) may be reduced to a minimum of 18" (0.45m).

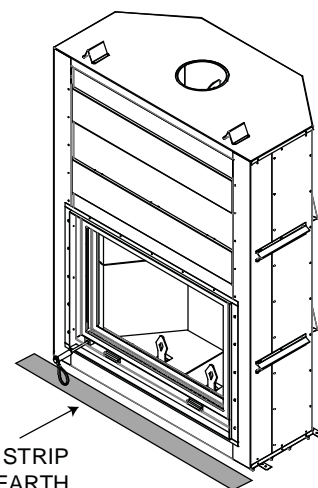
The hearth must be a minimum of 1" (25mm) thick cement board (or equivalent) plus 1/4" (6.4mm) ceramic tile.

Ensure that the gap between the appliance and a non-combustible hearth extension is sealed with sand/cement grout or covered with an ember strip (or both) to prevent sparks and embers from falling into this area.

Raised hearths must be constructed of non-combustible materials such as cement blocks or bricks.

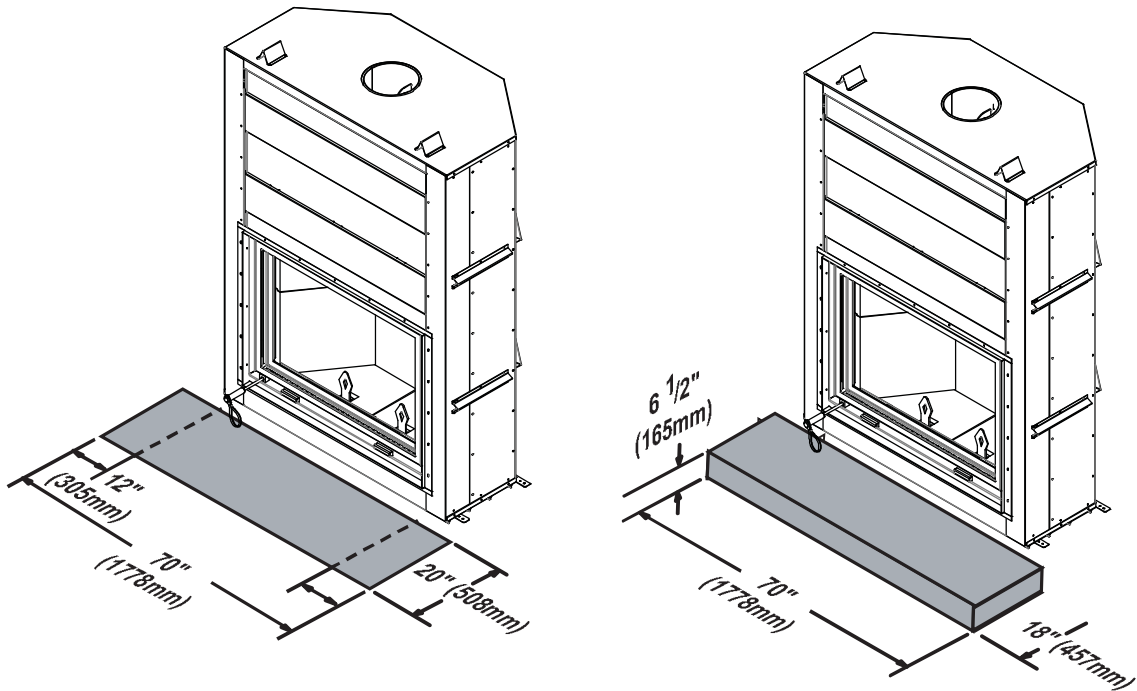
While the appliance can be installed directly on the floor, a non-combustible hearth extension is required in front of the appliance, that must not be built higher than the bottom of the appliance faceplate. It may therefore be advisable to build the appliance on a raised platform.

A raised hearth together with the appliance built on a raised platform is recommended for easier wood loading and fire viewing.



EMBER STRIP  
(See "HEARTH  
EXAMPLES" Section)

## 3.3.2 HEARTH EXTENSION



An acceptable 61½" (1562mm) x 20" (508mm) non-combustible (ie: brick, stone or ceramic tile) hearth extension must be installed. Hearth must extend 20" (508mm) in front of the faceplate when it is not elevated (see local building codes). Hearth must extend a minimum of 12" (305mm) to both sides of the appliance [70" (1778mm)].

Hearth must be a minimum of 1" (25mm) thick cement board (or equivalent) plus ¼" (6.4mm) ceramic tile.

Ensure that the gap between the appliance and a combustible hearth extension is sealed with sand/cement grout or covered with a metal strip (or both) to prevent sparks and embers from falling into this area.

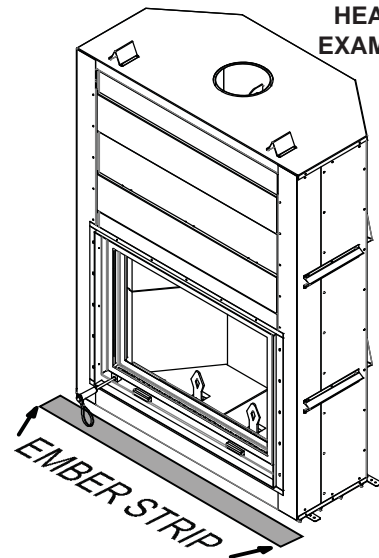
#### **HEARTH EXTENSION**

Elevated hearths must be constructed of noncombustible materials such as cement blocks or bricks.

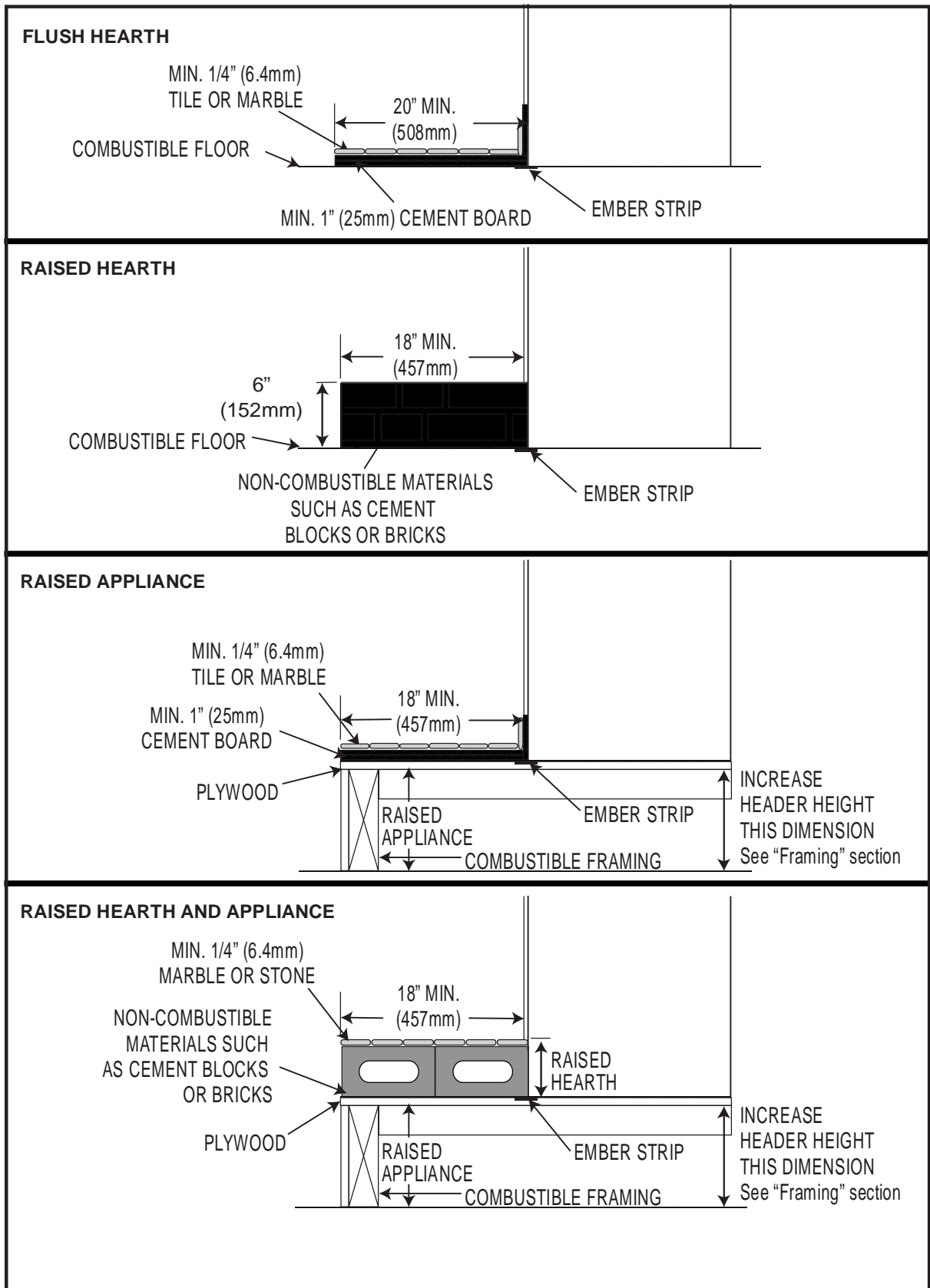
While the appliance can be installed directly on the floor, a non-combustible hearth extension is required in front of the appliance, that must not be built higher than the bottom of the appliance faceplate. It may therefore be advisable to build the appliance on a raised platform. Hearths raised minimum 6 ½" (165mm) must extend a minimum of 18" (457mm).

A raised hearth together with the appliance built on a raised platform is recommended for easier wood loading and fire viewing.

**SEE  
HEARTH  
EXAMPLES**



3.3.3 HEARTH EXAMPLES



## 4.0 INSTALLATION

<b>! WARNING</b>
<b>NEVER INSTALL A SINGLE WALL SLIP SECTION OR SMOKE PIPE IN A CHASE STRUCTURE. THE HIGHER TEMPERATURE OF THIS SINGLE WALL PIPE MAY RADIATE SUFFICIENT HEAT TO COMBUSTIBLE CHASE MATERIALS TO CAUSE A FIRE.</b>
<b>TO AVOID DANGER OF FIRE, ALL INSTRUCTIONS MUST BE STRICTLY FOLLOWED, INCLUDING THE PROVISION OF AIR SPACE CLEARANCE BETWEEN CHIMNEY SYSTEM AND ENCLOSURE. TO PROTECT AGAINST THE EFFECTS OF CORROSION ON THOSE PARTS EXPOSED TO THE WEATHER, WE RECOMMEND THAT THE CHASE TOP BE PAINTED WITH A RUST-RESISTANT PAINT.</b>
<b>MAINTAIN A MINIMUM 2" (51mm) AIR CLEARANCE TO ALL PARTS OF THE CHIMNEY SYSTEM AT ALL TIMES. FAILURE TO MAINTAIN THIS 2" (50.8mm) AIR CLEARANCE WILL CAUSE A STRUCTURE FIRE.</b>
<b>DETAILED INSTRUCTIONS FOR INSTALLATION OF THE CHASE TOP, STORM COLLAR AND TERMINATION CAP ARE PACKAGED WITH THESE PARTS.</b>
<b>FIRESTOP SPACERS MUST BE USED WHENEVER THE CHIMNEY PENETRATES A CEILING/FLOOR AREA.</b>
<b>THE CHIMNEY MUST BE SOUND AND FREE OF CRACKS. CLEAN YOUR CHIMNEY A MINIMUM OF TWICE A YEAR AND AS REQUIRED.</b>

### 4.1 CHIMNEY

**NOTE:** All venting connections must be in compliance with the chimney manufacturers installation instructions.

This appliance was tested to CAN/ULC S610 and UL 127 Factory Built Fireplace Standards. This appliance has met the test criteria for Zero Clearance Installation to Combustible Surfaces and Certified to burn firewood only.

Any chimney 10" (254 mm) or 12" (305 mm) diameter listed to CAN/ULC S610 and UL127 or to the following standards; CAN/ULC-S604 and CAN/ULC-S629 for Canada or UL-103 or UL-103HT for the United States may be installed.

Installation of all types of factory-built chimney systems is to be in accordance with the chimney manufacturers installation instructions. An appropriate chimney manufacturers anchor base plate and anchor base plate gasket is required in order to initiate their system. Use the high temperature gasket, supplied, to seal between the anchor plate and the appliance top. Air cooled chimney systems are not recommended in colder climates.

Complete installation instructions for Selkirk Ultra Temp Chimney for Canada and Ultra Temp Platinum Chimney for USA, refer to: [www.selkirkinc.com/products/chimney.aspx](http://www.selkirkinc.com/products/chimney.aspx)

A chimney venting the appliance shall not vent any other appliance. The minimum overall chimney height from the top of the appliance is 15ft (4.6m). The maximum overall chimney height from the top of the appliance is 34ft (10.4m).

Factory-built chimney systems for use in dwellings constructed for three or more families must be enclosed above the room in which the appliance is located. This enclosure must have a fire resistance rating equal to or greater than that of the floor or roof assembly through which they pass.

The chimney should not be built with an offset angle in excess of 45° in Canada and 30° in USA.

Ensure that minimum clearances are maintained.

Portions of the chimney that extend through accessible spaces must always be encased to avoid personal contact with the chimney and thereby avoid damage to the chimney.

The chimney must be supported at a maximum of 20ft (6.1m) intervals [approx. 200 lbs/20 FT (90.7kg/6.1m)].



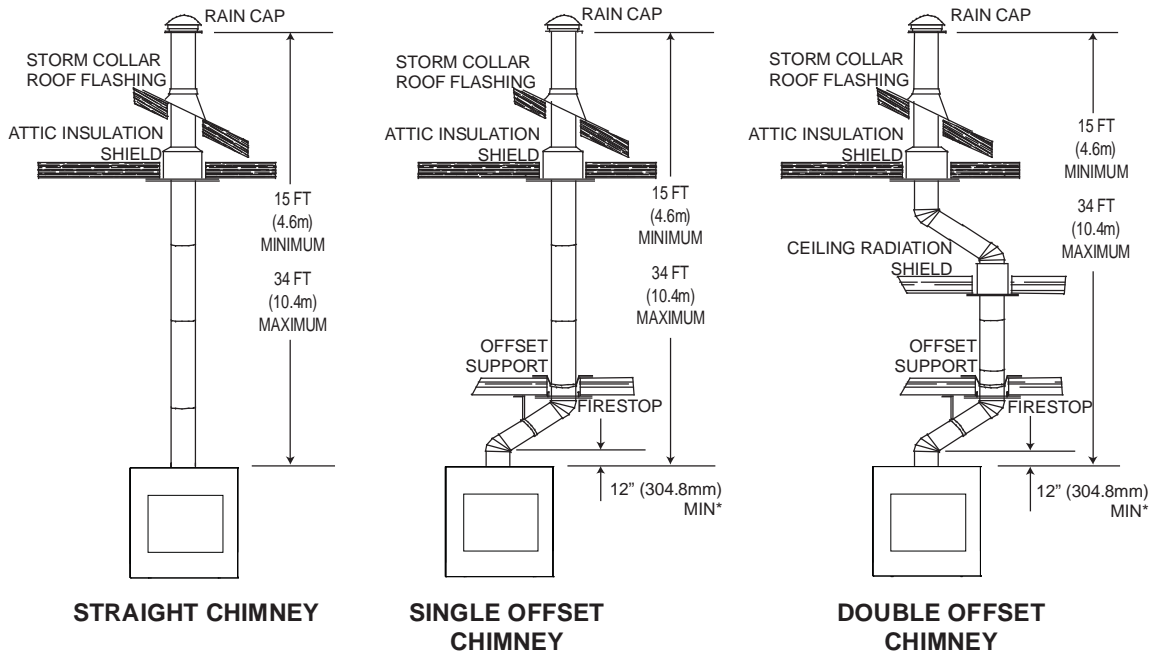
**ANCHOR PLATE FOR A FACTORY BUILT CHIMNEY**

63.9

When using 10" chimney, center anchor plate to appliance flue outlet

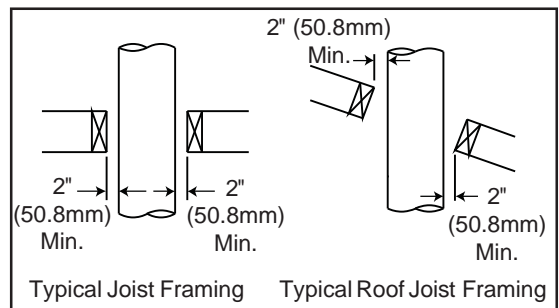
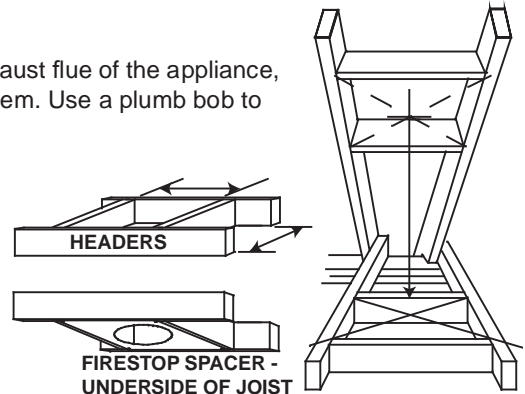


4.2 TYPICAL CHIMNEY INSTALLATION



\* The first flue offset closest to the top of the appliance must be a minimum distance of 12" (304.8mm) from the top of the appliance.

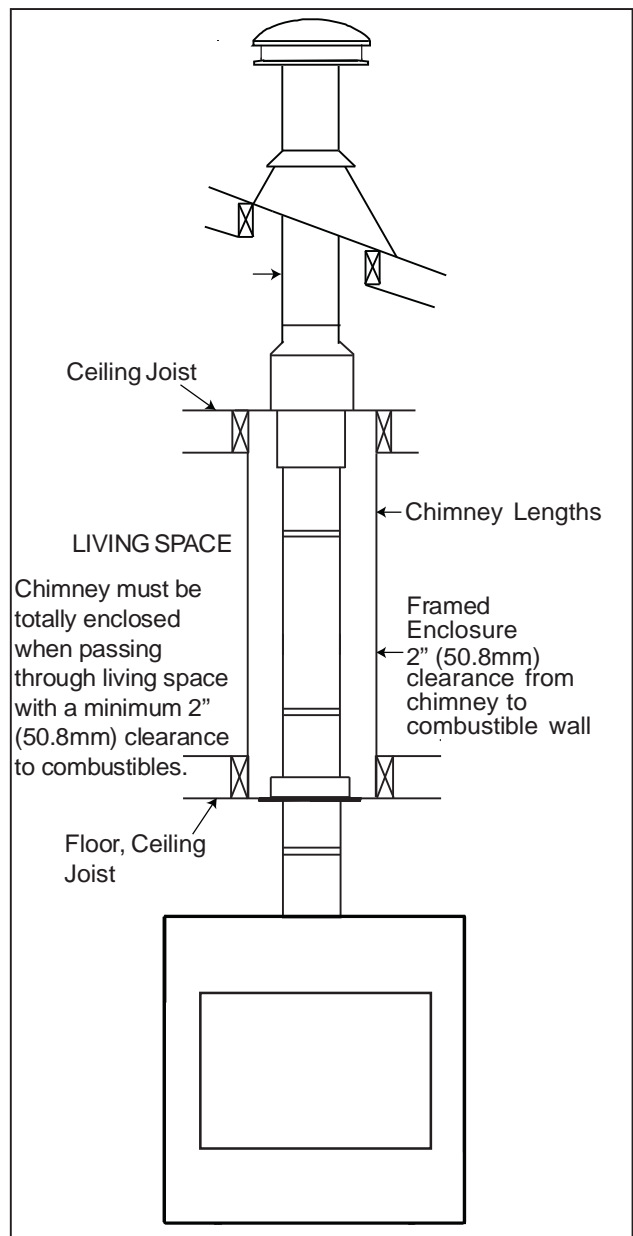
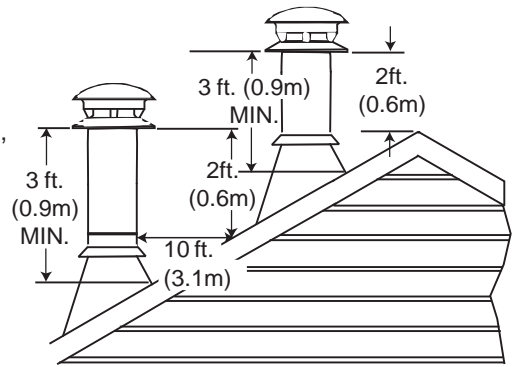
1. Move the appliance into position. Try to center the exhaust flue of the appliance, midpoint between two joists to prevent having to cut them. Use a plumb bob to line up the centre.
2. Cut and frame an opening in the ceiling to provide a minimum clearance of 2" (50.8mm) between the outside of the chimney and any combustible material. **DO NOT FILL THIS SPACE WITH ANY TYPE OF MATERIAL!** Nail headers between the joists for extra support. Firestop spacers must be placed on each framed opening in any floor or ceiling that the chimney passes through.
3. Hold a plumb bob from the underside of the roof to determine where the opening in the roof should be. Cut and frame the roof opening maintaining proper 2" (50.8mm) clearances.



**NOTE:** 30° or 45° offsets may be installed back to back.

4.3 ADDING CHIMNEY SECTIONS

Add chimney sections, securely, to the required height.  
 If the chimney system is enclosed within the attic area, a rafter radiation shield is required.  
 The chimney must extend at least 3ft (0.9m) above its point of contact with the roof and at least 2ft (0.6m) higher than any wall, roof or building within 10ft (3.1m).  
 If the chimney extends more than 5ft (1.5m) above the roof, it must be secured using a roof brace or guide wires.  
 A raincap must be installed to avoid internal damage and corrosion.



59.2A

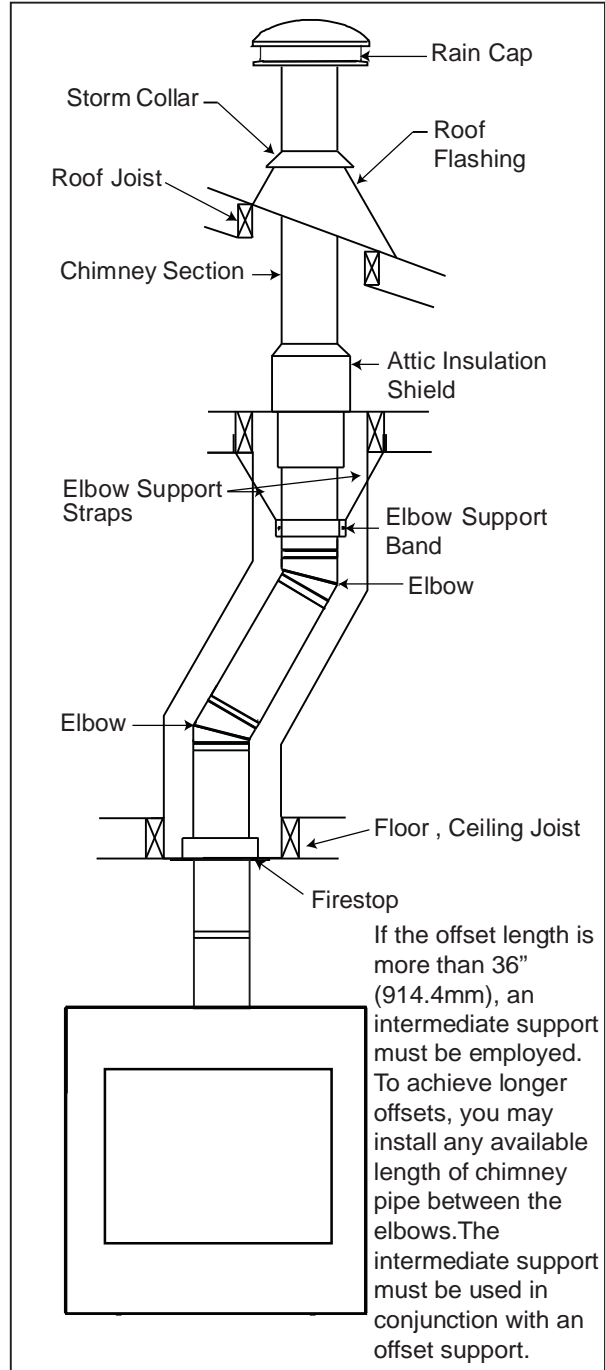
4.4 OFFSET CHIMNEY INSTALLATION

**! WARNING**  
**CHIMNEY SECTIONS INSTALLED BETWEEN AN OFFSET AND RETURN REQUIRE STRUCTURAL SUPPORT TO REDUCE OFF-CENTER LOADING AND TO PREVENT CHIMNEY SECTIONS FROM SEPARATING AT THE CHIMNEY JOISTS.**

**THE CHIMNEY SHOULD NOT BE BUILT WITH AN OFFSET ANGLE IN EXCESS OF 45° IN CANADA AND 30° IN USA. DO NOT COMBINE OFFSET CHIMNEY COMPONENTS TO EXCEED THESE ANGLES.**

The first flue offset closest to the top of the unit must be a minimum distance of 12" (304.8mm) from the top of the appliance.

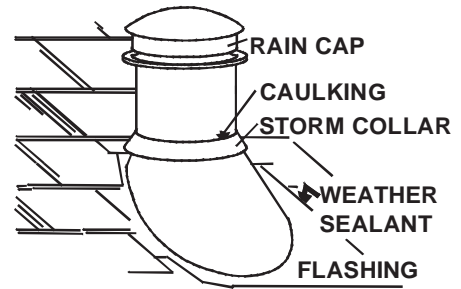
Attach an elbow to the chimney section, angled toward the offset. Secure with 3 sheet metal screws. To achieve the minimum offset, attach and secure a second elbow. To achieve longer offsets, you may install any available length of chimney pipe between the elbows. Supports must be used on the first vertical chimney section after a return elbow.



63.6A

4.5 INSTALLING FLASHING AND STORM COLLAR

Remove the nails from the shingles above and to the sides of the chimney. Place the flashing over the chimney pipe and slide underneath the sides and upper edge of the shingles. Ensure that the chimney pipe is properly centered within the flashing, giving a 3/4" (19.1mm) margin all around. Fasten to the roof on the top and sides. **DO NOT NAIL** through the lower portion of the flashing. Make weather-tight by sealing with caulking. Where possible, cover the sides and top edges of the flashing with roofing material. Apply waterproof caulking, provided with the flashing, around the chimney, 1" (25.4mm) above the top of the flashing and push the storm collar down into the caulking. Insert a rain cap onto the top of the last chimney section.



88.1A

4.6 AIR COOLED CHIMNEY INSTALLATION

- A. Install the base plate starter collar. Affix using the four screws.
- B. Install air housing to the appliance and connect to liner.
- C. Follow the chimney manufacturer's instructions for installing the chimney.

**NOTE:** M&G DuraVent DuraChimney II is allowed for use on this product.

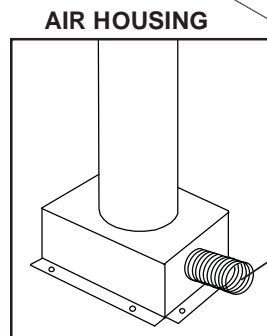
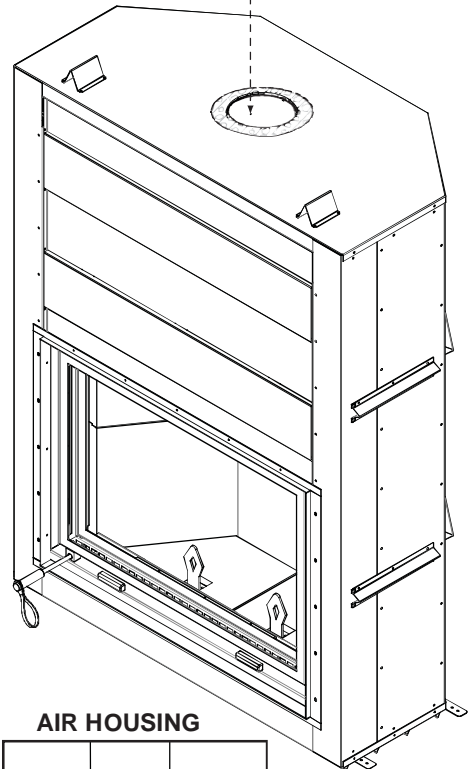
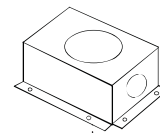
Use DuraVent DuraChimney II brand of air cooled chimney.

CHIMNEY COMPONENTS	DuraChimney II
12" (305mm) Chimney Section	10DAC-12
48" (1219mm) Chimney Section	10DAC-48
36" (914mm) Chimney Section	10DAC-36
15° Elbow	10DAC-E15
Chase Top Flashing	10DAC-CTF
Chimney Cap	10DAC-VC
Firestop / Radiation Shield	10DAC-RRS
CHIMNEY COMPONENTS	WOLF STEEL
Air Housing*	NZAC10KT
Anchor Plate	10DAC-Ap

\*Required for DuraChimney II

**NOTE:** Follow the chimney manufacturer's instructions for installing the chimney.

**NOTE:** Use 111kt outside air kit to connect to air housing. Maximum length of 4" (101.5 mm) liner is 20' (6 m). If greater length is required then increase the liner diameter to 6" (152.4mm)



## 5.0 FRAMING

EN

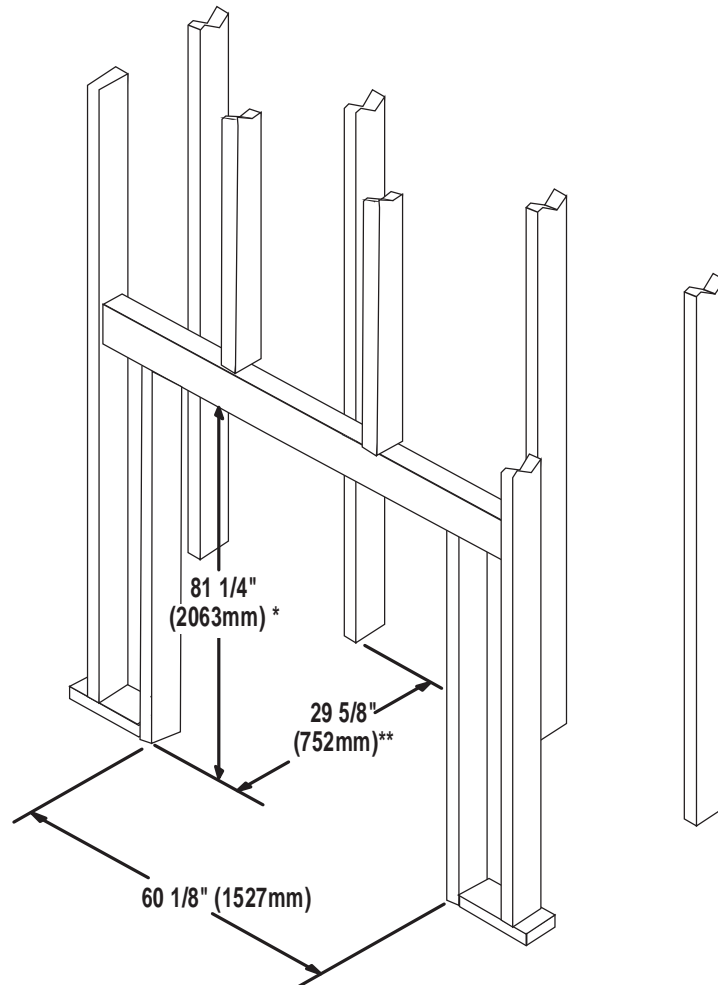
**! WARNING**

IN ORDER TO AVOID THE POSSIBILITY OF EXPOSED INSULATION OR VAPOUR BARRIER COMING IN CONTACT WITH THE APPLIANCE BODY, IT IS RECOMMENDED THAT THE WALLS OF THE APPLIANCE ENCLOSURE BE "FINISHED" (I.E.: DRYWALL / SHEETROCK), AS YOU WOULD FINISH ANY OTHER OUTSIDE WALL OF A HOME. THIS WILL ENSURE THAT CLEARANCE TO COMBUSTIBLES IS MAINTAINED WITHIN THE CAVITY.

A MINIMUM OF 6" (152mm) TO COMBUSTIBLE MATERIALS IS REQUIRED TO BOTH SIDES OF THE APPLIANCE, SEE "MINIMUM CLEARANCE TO COMBUSTIBLES" SECTION.

DO NOT BUILD SHELVES OR CUPBOARDS INTO THE AREA ABOVE THE APPLIANCE.

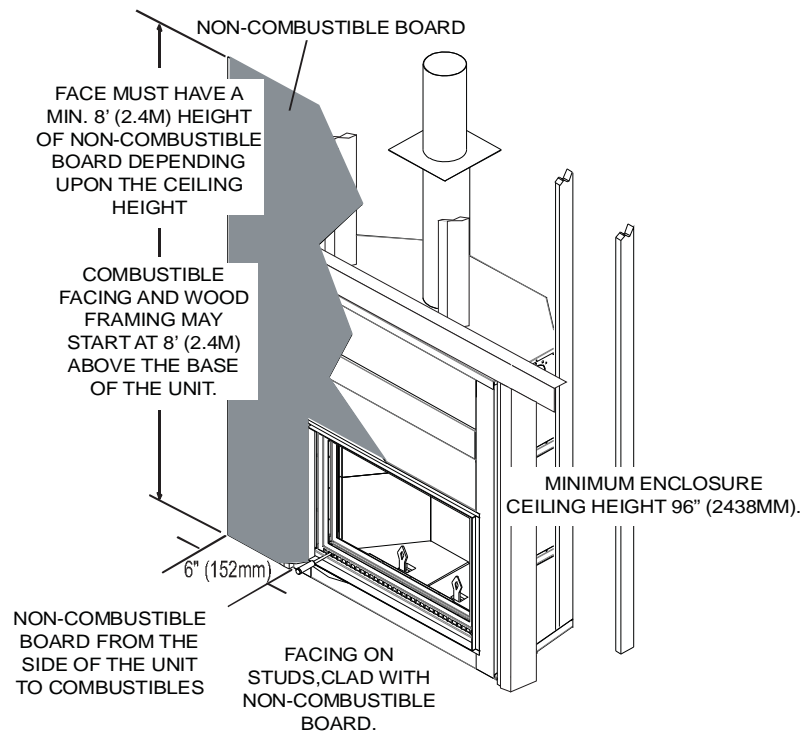
OBJECTS PLACED IN FRONT OF THE APPLIANCE MUST BE KEPT A MINIMUM OF 48" (1219mm) AWAY FROM THE FRONT FACE OF THE APPLIANCE.



\* Allow for finished floor and hearth thickness when setting these dimensions.

\*\* When constructing the enclosure allow for finishing material thickness and to maintain clearances.

## 5.1 FINISHING MATERIAL

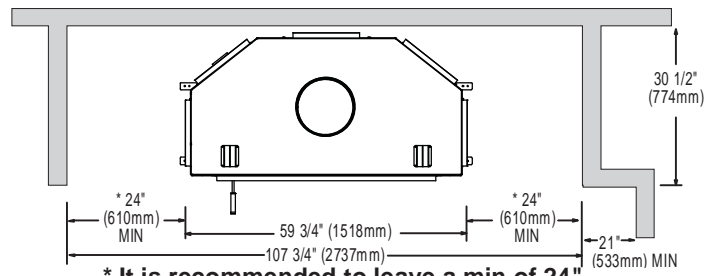
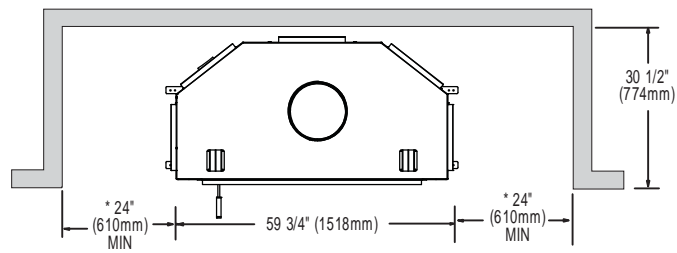


**WARNING:** Screws used to fasten finishing materials to the face of the appliance above the guillotine screen and door must not penetrate more than 1/2" (13mm) into the sheet metal front panels. Refer to the "DIMENSIONS" section for specific requirements.

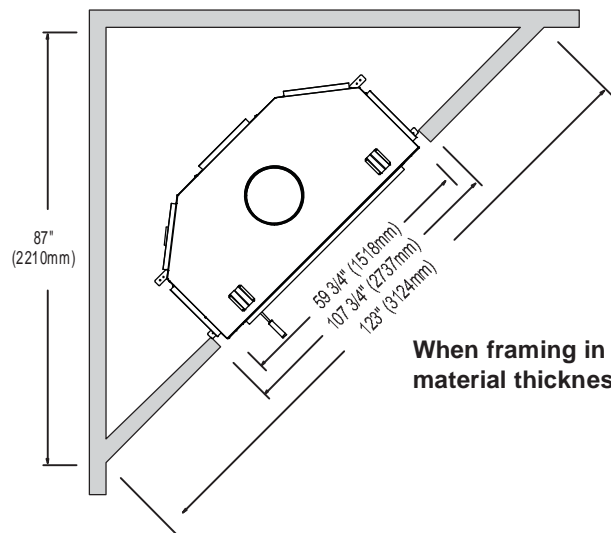
5.2 MINIMUM CLEARANCE TO COMBUSTIBLES

<b>Framed Enclosure</b>	
Rear, Sides, Ceiling (enclosure)	- 0" (0mm) to stand-offs (rear)
Ceiling (in front of appliance)	- 96" (2438mm) from the base of the appliance
Chimney	- 2" (51mm) (follow manufacturers instructions)

5.3 MINIMUM ENCLOSURE CLEARANCES



**\* It is recommended to leave a min of 24" (610mm) of clearance to the sides of the appliance to facilitate servicing either the guillotine door or the screen door operating systems; access to this space will need to be considered.**



**When framing in unit, allow for finishing material thickness.**

5.4 MINIMUM MANTEL CLEARANCES

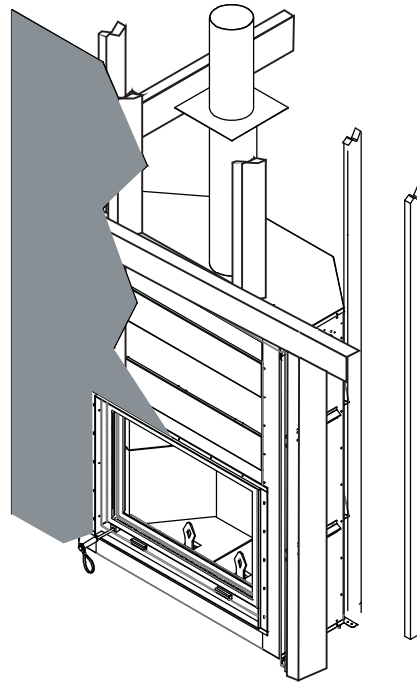
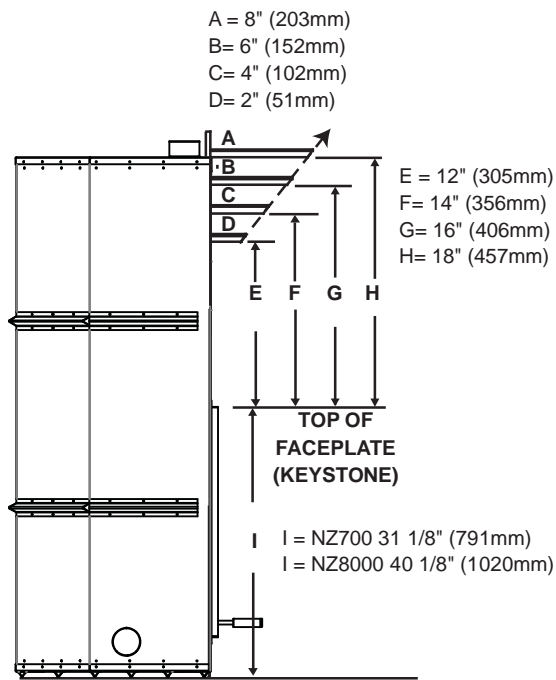
**! WARNING**

**RISK OF FIRE, MAINTAIN ALL SPECIFIED AIR SPACE CLEARANCES TO COMBUSTIBLES. FAILURE TO COMPLY WITH THESE INSTRUCTIONS MAY CAUSE A FIRE OR CAUSE THE APPLIANCE TO OVERHEAT. ENSURE ALL CLEARANCES (I.E. BACK, SIDE, TOP, VENT, MANTEL, FRONT, ETC.) ARE CLEARLY MAINTAINED.**

**WHEN USING PAINT OR LACQUER TO FINISH THE MANTEL, THE PAINT OR LACQUER MUST BE HEAT RESISTANT TO PREVENT DISCOLOURATION.**

73.1

An optional combustible mantel must be a minimum of 12" (305mm) above the top of the faceplate and not to extend more than 2" (51mm) from the surface. See chart below for further information.





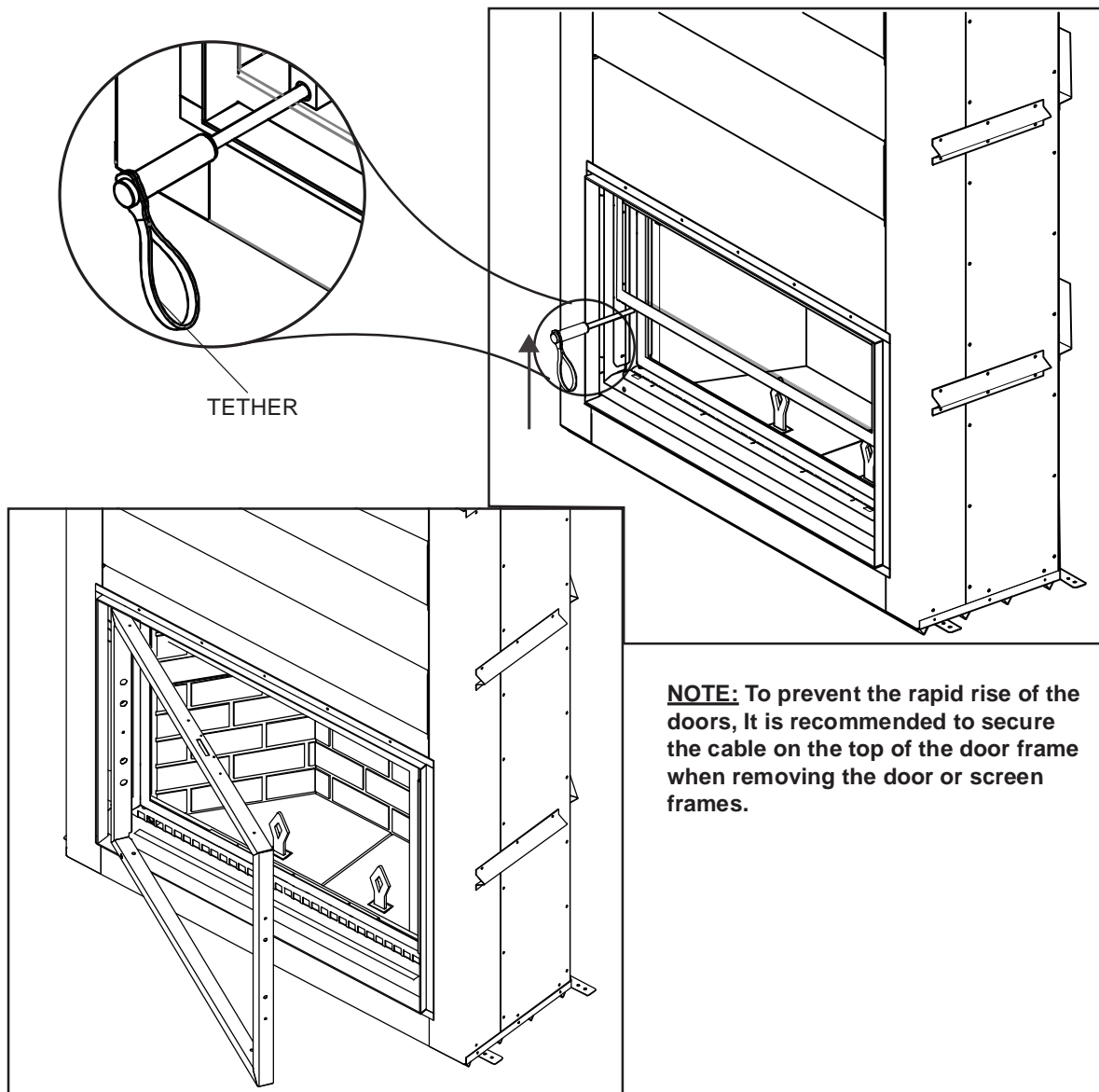
## 6.0 FINISHING

<b>! WARNING</b>
<b>USE ONLY A NON-COMBUSTIBLE MATERIAL TO FINISH THE FACE OF THE APPLIANCE. A NON-COMBUSTIBLE MATERIAL SUCH AS CEMENT BOARD IS REQUIRED FOR THIS PURPOSE.</b>
<b>VENTILATION OPENINGS ARE RECOMMENDED FOR ALL ENCLOSURES.</b>
<b>ABOVE 84" (2134mm) COMBUSTIBLE FINISHING MATERIALS MAY BE USED ON THE FRONT FACE.</b>
<b>DO NOT INSULATE AROUND THE APPLIANCE.</b>

### 6.1 DOOR & SCREEN OPERATION

Insert handle into screen and glass door receiver bottom left corner to raise and lower the door. When not in use, hang handle on tool set.

To swing open the glass door, lift the latch on the right side up and swing the door outward.



<b>! WARNING</b>
<b>DO NOT USE SUBSTITUTE MATERIALS.</b>
<b>GLASS MAY BE HOT, DO NOT TOUCH GLASS UNTIL COOLED.</b>
<b>DO NOT STRIKE, SLAM OR SCRATCH GLASS. DO NOT OPERATE APPLIANCE WITH GLASS REMOVED, CHIPPED, CRACKED, BROKEN OR SCRATCHED. CHIPPED GLASS CAN BREAK WHEN EXPOSED TO HIGH TEMPERATURES. THIS TYPE OF BREAKAGE IS NOT COVERED UNDER WARRANTY.</b>
<b>CARE MUST BE TAKEN WHEN REMOVING AND DISPOSING OF ANY BROKEN DOOR GLASS OR DAMAGED COMPONENTS. BE SURE TO VACUUM UP ANY BROKEN GLASS FROM INSIDE THE APPLIANCE BEFORE OPERATION.</b>

**WARNING:** DO NOT CLOSE DOOR FRAME ONCE DOOR GLASS HAS BEEN REMOVED AS THE APPLIANCE HAS BEEN FITTED WITH BALANCE WEIGHTS. SEE "BALANCE WEIGHT ADJUSTMENT" SECTION.

At the end of each burning season inspect the door gasket ensuring that it is not worn or loose. Replace with proper fiberglass rope. The purpose of door gasketing is to seal the firebox. If the doors are not sealed, air leaks into the firebox, creating a quick burning fire. Replace cracked or broken glass immediately. When reinstalling the glass, be sure that the glass and gasket create a solid seal around door frame. Follow the instructions below for glass removal. You may require a flat tool to gently press the gasket between the glass and the door.

- A. Lift the screen up into the appliance.
- B. Lower the glass door down and unlatch. Swing the glass door open.
- C. Unscrew the top and bottom retainers inside door frame. **(FIG.1)**
- D. Remove glass from door frame. **(FIG.2)**
- E. Center and apply gasket to the edge of glass. Ensure gasket is a continuous loop around the perimeter of the replacement glass. **(FIG.3)**

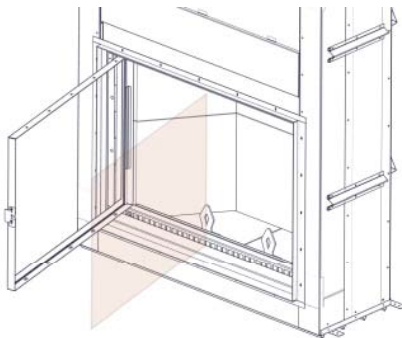
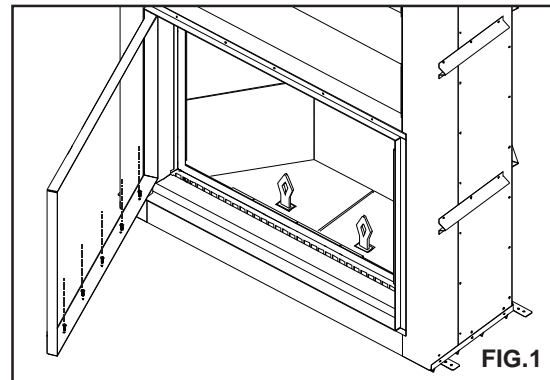


FIG.2

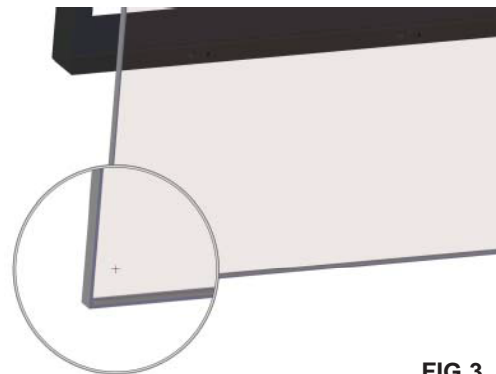
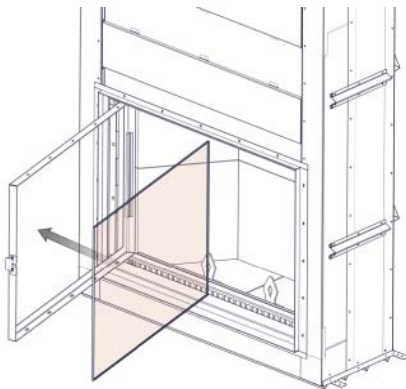
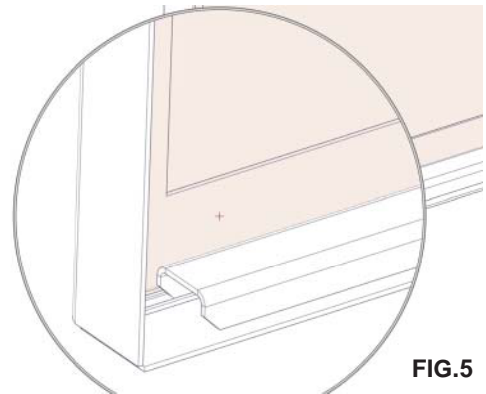


FIG.3



F. Reinstall glass inside the door frame. (FIG.4)



G. Reposition top and bottom retainers using screws from in Step C). **Ensure retainer is positioned correctly.** (FIG.5)

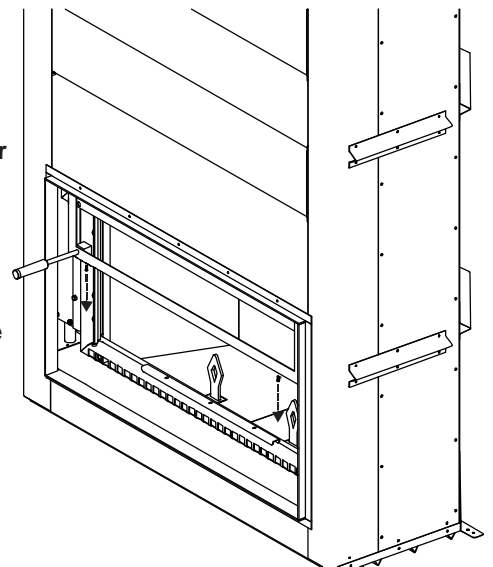
### 6.3 SCREEN REPLACEMENT

**WARNING:** Risk of injury! Removing the screen will result in the counter weight to be out of balance, this will cause the screen door to immediately rise after the frame is removed.

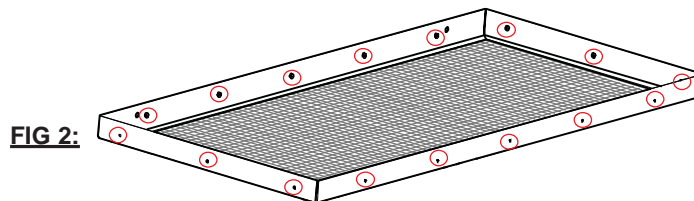
**NOTE:** It is recommended to have two people assist in removing the screen frame from the appliance.

- A. Insert the handle and lift the screen slightly up to remove the 2 screws on the bottom inside of the screen frame, see Figure 1.
- B. **Removing the screen will result in the screen door immediately rising, use caution. It is recommended to have another person assist in holding the screen door while the screen frame is removed.**
- C. Remove the 10 top and bottom screws and the 6 side screws, see Figure 2.
- D. Remove the screen from the frame and replace.
- E. Reverse these steps to reinstall the screen frame onto the appliance.
- F. If the screen door becomes unbalanced, refer to the "BALANCE WEIGHT ADJUSTMENT" section.

**FIG 1:**



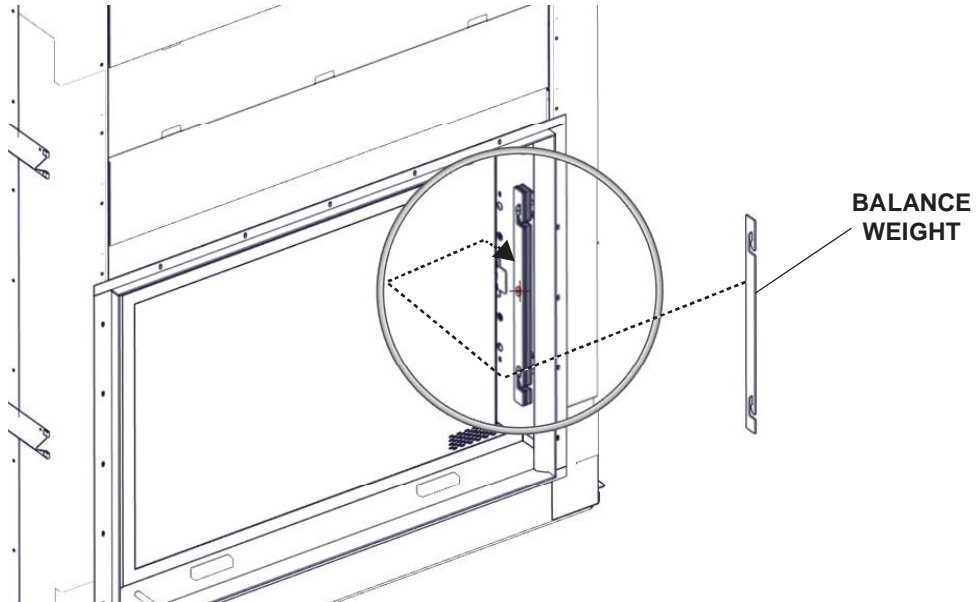
**NOTE:** Do not leave the doors slightly open. Ensure your counter weights are balanced and the doors close properly.



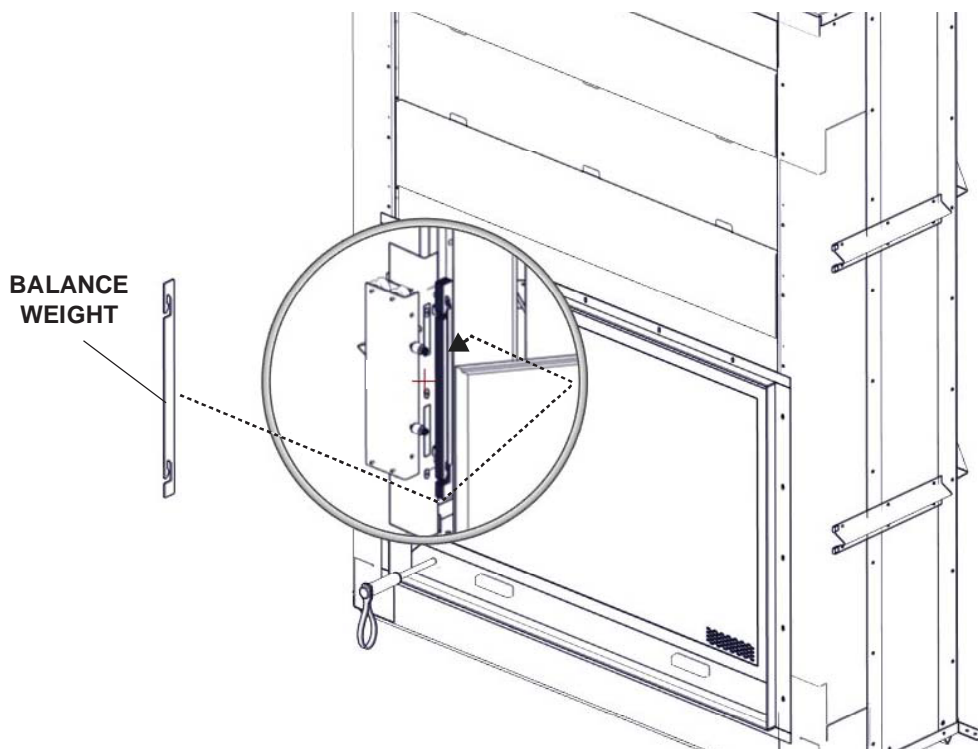
#### 6.4 BALANCE WEIGHT ADJUSTMENT

Balance weights have been added to this appliance to counter the weight of the guillotine at the rear of the appliance, they stabilize the balance of the screen door and glass door movement.

If the glass door or screen door become unbalanced, (falling or rising rapidly), it is important to adjust the balance weight of the doors to ensure they perform properly.



The screen door balance weights are located on the main frame on the inside right of the screen frame. Remove or add as required to balance.



The glass door balance weights are located on the outer glass frame on the left side. Remove or add as required to balance.

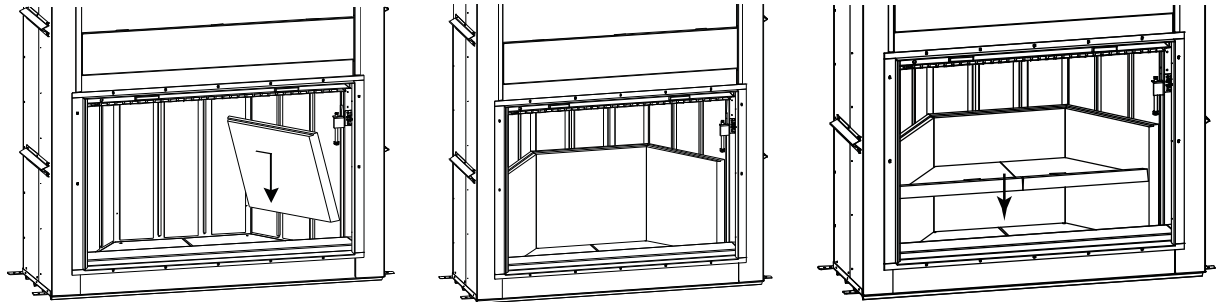
6.5 FIREBRICK INSTALLATION AND DAMPER OPERATION

**! WARNING**

**OPERATION OF THE APPLIANCE WITHOUT THE FIREBRICKS CAN RESULT IN EXCESSIVE TEMPERATURES THAT COULD DAMAGE THE APPLIANCE, CHIMNEY AND THE SURROUNDING ENCLOSURE.**

EN

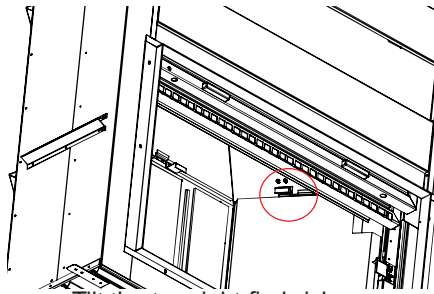
**NOTE:** Ensure fibre panels set in behind brick are in good condition before installing firebrick. If fibre panels need to be replaced, hold panels in position or place with masking tape until fire brick is installed.



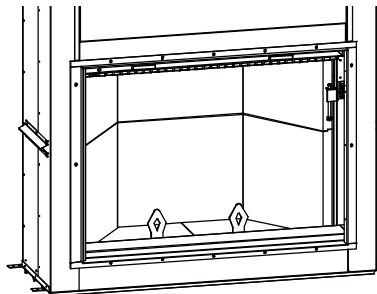
A. Tilt and install the right rear firebrick against the wall.

B. Install the middle and left rear firebricks.

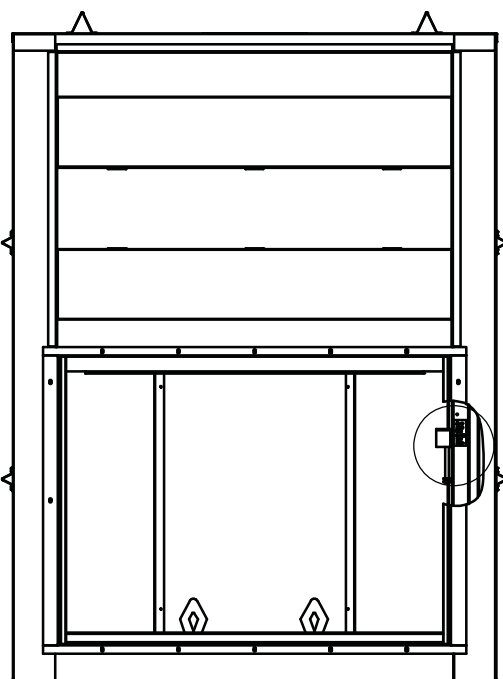
C. Install the bottom firebricks to aid securing the rear firebricks against the wall.



D. Tilt the top right firebrick and secure under the retaining bracket.

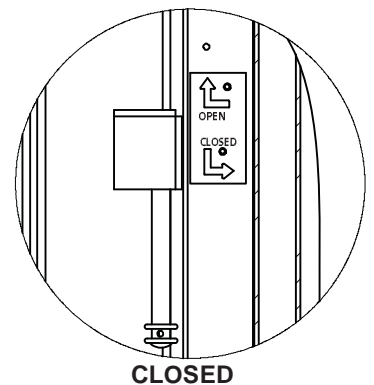
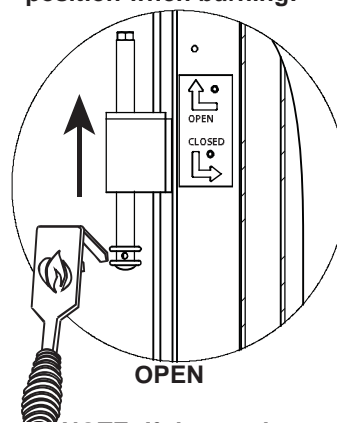


D. Install the remaining top firebricks, securing under the retaining brackets. Install the andirons into the bottom firebricks.



To close the damper, pull the damper control rod down and push it to the right.  
To open the damper, push the damper control rod to the left side and release.

**NOTE:** The damper must be in the "OPEN" position when burning.



**NOTE:** If damper becomes unthreaded it will remaining situated in the "OPEN" position.

## 6.6 SMOKE CHAMBER INSULATION PANEL REPLACEMENT

- A. Remove screws from brackets and slide rear panel out of smoke chamber. Repeat for both side panels. **(FIG.1)**

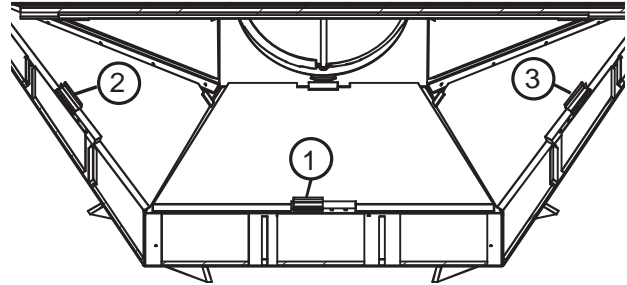


FIG.1

- B. Remove screws from lower brackets and remove front lower panel. Then remove screws from upper brackets and remove front upper panel **(FIG.2)**

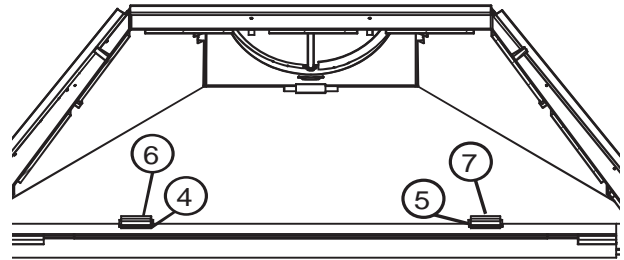


FIG.2

- C. Remove Screws from lower side brackets and remove the side upper panels **(FIG.3)**

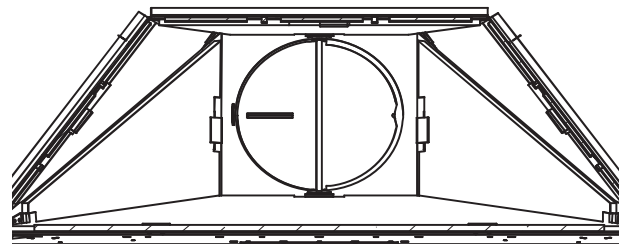


FIG.3

**NOTE:** Smoke chamber insulation panels are fragile. Handle with care.

- D. Slide top panel into smoke chamber and Install the 4 brackets removed in Step C. **(FIG.3)**  
 E. Slide front upper panel into smoke chamber then front lower panel and install brackets. **(FIG.2)**  
 F. Slide side panels then rear panel into smoke chamber and install brackets. **(FIG.1)**

## 7.0 SELECTING WOOD

<b>! WARNING</b>
<b>THIS APPLIANCE IS DESIGNED TO BURN NATURAL WOOD ONLY. DO NOT BURN TREATED WOOD, COAL, CHARCOAL, COLOURED PAPER, CARDBOARD, SOLVENTS OR GARBAGE. THIS APPLIANCE HAS NOT BEEN TESTED WITH AN UNVENTED GAS LOG SET. TO REDUCE RISK OF FIRE OR INJURY, DO NOT INSTALL AN UNVENTED GAS LOG SET INTO THE APPLIANCE.</b>
<b>HIGHER EFFICIENCIES AND LOWER EMISSIONS GENERALLY RESULT WHEN BURNING AIR DRIED SEASONED HARDWOODS, AS COMPARED TO SOFTWOODS OR TOO GREEN OR FRESHLY CUT HARDWOODS.</b>
<b>BURNING WET UNSEASONED WOOD CAN CAUSE EXCESSIVE CREOSOTE ACCUMULATION. WHEN IGNITED IT CAN CAUSE A CHIMNEY FIRE THAT MAY RESULT IN A SERIOUS HOUSE FIRE.</b>
<b>DO NOT STORE FUEL WITHIN THE CLEARANCE TO COMBUSTIBLES, OR IN THE SPACE REQUIRED FOR RE-FUELING AND ASH REMOVAL.</b>

When loading the appliance, ensure that the upper fibre baffle is situated properly. For maximum efficiency, when the appliance is thoroughly hot, load it fully to the top of the door opening and burn at a medium low setting. The whiteness of the bricks and the cleanliness of the glass are good indicators of your operating efficiency. Not enough heat is produced when only a few pieces of wood are burned or the wood may not burn completely.

Fuel for the appliance must not be stored closer than the required clearances to combustibles (heat sensitive material). **NEVER STORE WOOD IN THE ASH PAN COMPARTMENT (if applicable).**

**NOTE:** When loading the appliance, ensure to keep fuel back from the glass. If coals are to accumulate on the front lip, there is a chance they will fall out when the door is opened.

Burn only dry, clean unpainted wood that has been seasoned. It produces more heat and less soot or creosote. Freshly cut wood contains about 50% moisture while after proper seasoning only about 20% of the water remains. As wood is burned, this water boils off consuming energy that should be used in heating. The wetter the wood, the less heat is given off and the more creosote is produced. Dry firewood has cracks in the end of the grain.

Both hardwood and softwood burn equally well in this appliance but hardwood is denser, will weigh more per cord and burn a little slower and longer.

Firewood should be split and stacked in a manner that air can get to all parts of it and covered in early spring to be ready for burning that fall. Dry firewood has cracks in the end grain.

Cut the wood so that it will fit horizontally, front to back, making for easier loading and less of a likelihood that the wood will roll onto the glass.

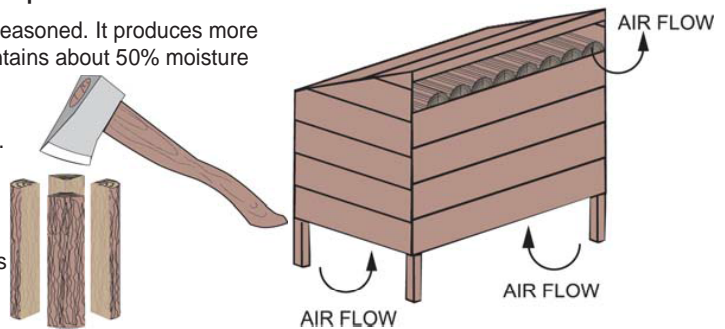
Manufactured firelogs made by compressing 100% natural wood fibre can be safely used as fuel. Do not use manufactured firelogs if they contain additives such as paraffin, wax, binders etc. Never burn more than two manufactured firelogs at a time.

### **DO'S**

- Build a hot fire.
- Verify with a moisture meter that wood contains no more than 20% moisture content.
- Several pieces of medium sized wood are better than a few big pieces.
- Clean chimney regularly.
- Refuel frequently using medium sized wood.
- "Fine Tune" the air settings for optimum performance.

### **DONT'S**

- Take ash out immediately. Let it accumulate to a depth of at least one inch. A good ash layer provides for a longer lasting and better burning fire.
- Burn wet wood with more than 20% moisture content.
- Close the door too soon or damper down too quickly.
- Burn one large log rather than two or three smaller, sized logs.
- Burn at continually "low setting", if glass door is constantly blackened. This means the firebox temperature is too low.





## 8.0 OPERATION

Expansion / contraction noises during heating up and cooling down cycles are normal and to be expected.

### **TIPS FOR BURNING:**

- Create a large fire to heat up the appliance before adjusting to a slower burn.
- To create a large, quick burning fire, use small pieces of wood.
- For a lower, but extended burn, stack larger pieces of wood close together.
- For long burns, leave a 1" (25.4mm) - 2" (50.8mm) bed of ashes.
- Burn dry wood only.
- With the exception of overnight burns, create large, quick burning fires whenever possible. Smaller, slow burning fires, using large logs, cause the glass to become dirty. Larger, quick burning fires using medium sized wood to refuel frequently are much more efficient.

---

47.18A

### 8.1 OPERATING SOUNDS AND SMELLS

A slight humming sound may be heard depending on the location of the blower. This sound may be minimized by turning down the blower speed.

When first installed, the appliance and the steel are cold and must become hot before the appliance will function well. During the break-in period (the first 2 or 3 fires) create only small, hot fires using kindling; this will allow the firebrick to cure. Do not be alarmed if small hairline cracks develop in the firebrick. This is a normal occurrence and does not pose a safety hazard. The paint may also smell a little for the first few fires as it cures and you may wish to open a door or window to alleviate the smell.

There are many different ways to start a fire, review the hints and warnings in this section to ensure the fire is started properly.

---

90.1



## 8.2 STARTING A FIRE

**! WARNING**

**ALWAYS OPERATE THIS APPLIANCE WITH THE GLASS DOOR OR SCREEN CLOSED DURING START-UP AND RE-FUELING.**

**NOTE:** Remove all sources of gasoline or other flammable vapours and liquids in the vicinity of this or other appliances prior to lighting.

Draft is the force which moves air from the appliance up through the chimney. The amount of draft in your chimney depends on the length of the chimney, local geography, nearby obstructions and other forces.

Inadequate draft may cause back-puffing into the room and may cause plugging of the chimney. Too much draft may cause an excessive temperature in the appliance, glowing red appliance parts or an uncontrollable burn which can all lead to a chimney fire or a permanent damage to the appliance.



### 8.3 FIRE EXTINGUISHERS / SMOKE DETECTORS & CARBON MONOXIDE DETECTORS

All homes with a solid fuel burning appliance should have at least one fire extinguisher in a central location, known to all, at least one smoke detector and carbon monoxide (CO) detector in the room containing the appliance. If the smoke detector sounds an alarm, correct the cause but do not de-activate or relocate the smoke detector. If the carbon monoxide detector sounds an alarm, immediately vent the area, evacuate and call your local fire department. Hazards with some fuels (e.g. charcoal) and the possibilities of generating carbon monoxide and the hazards from carbon monoxide.

---

 91.1B

### 8.4 FUEL LOADING AND BURN CYCLE

 <b>WARNING</b>
<b>BURN WOOD BEHIND THE LOG RETAINER DIRECTLY ON THE FIREBRICKS. DO NOT USE ELEVATED GRATE OR OTHERWISE RAISE THE FIRE.</b>
<b>DO NOT STORE WOOD WITHIN APPLIANCE INSTALLATION CLEARANCES OR WITHIN THE SPACE REQUIRED FOR RE-FUELING AND ASH REMOVAL.</b>

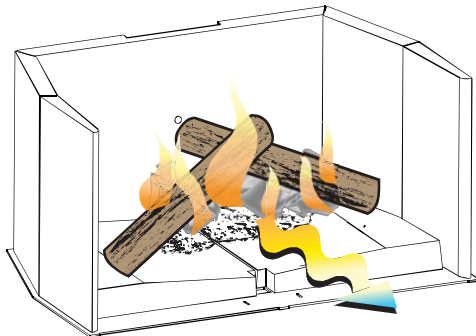
The bricks will be nearly all white and the glass mostly clear. The whiteness of the bricks and the cleanness of the glass are good indicators of your operating efficiency.

Not enough heat is produced when only one or two pieces of wood are burned.

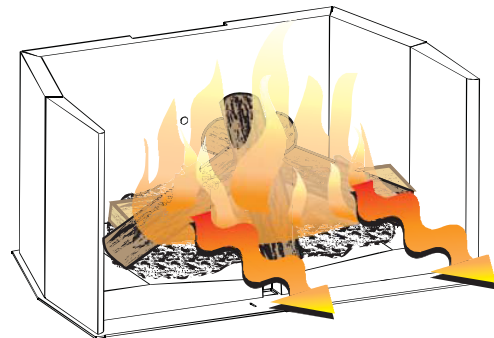
A minimum of three pieces are needed to encase a bed of coals that sustains the fire. Loosely stacked wood burns quicker than a tightly packed load.

Wood burns in cycles rather than giving a steady output of heat. It is best to plan these cycles around your household routine so that only enough coals are left to start the next load. In the evening load your appliance at least a half-hour before bed to ensure the fire is hot enough to close the draft control for an overnight burn.

Burn only dry seasoned wood. It produces more heat and less soot or creosote. Do not burn ocean beach wood. Its salt content can be corrosive to the metal.



**INSUFFICIENT FIREWOOD**



**SUFFICIENT FIREWOOD**

---

 92.1A

Use Solid wood, processed solid fire logs (or other specified type) fuel only.

**WARNING:** Do not build fire too close to door glass. Do not poke or stir the logs while they are burning. Use only firelogs that have been evaluated for the application in fireplace and refer to firelog warnings and caution markings on packaging prior to use.

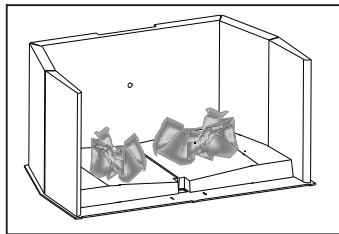
## 8.5 STARTING THE FIRE (DAMPER OPEN)

<b>! WARNING</b>
<b>ALWAYS OPERATE THIS APPLIANCE WITH THE GLASS DOOR OR SCREEN CLOSED DURING START-UP AND RE-FUELING OR WHEN USING THE SPARK SCREEN. ALWAYS WEAR GLOVES TO PREVENT INJURY.</b>
<b>NEVER LEAVE CHILDREN UNATTENDED WHEN THERE IS A FIRE BURNING IN THE APPLIANCE.</b>
<b>NEVER USE GASOLINE-TYPE LANTERN FUEL, KEROSENE, CHARCOAL LIGHTER FLUID, OR SIMILAR LIQUIDS TO START OR "FRESHEN UP" A FIRE IN THIS APPLIANCE. KEEP ALL SUCH LIQUIDS WELL AWAY FROM THE APPLIANCE.</b>
<b>THIS APPLIANCE HAS NOT BEEN TESTED WITH ANY VENTED OR UNVENTED GAS LOG SET. TO REDUCE RISK OF FIRE OR INJURY, DO NOT INSTALL A VENTED OR UNVENTED GAS LOG SET INTO THIS APPLIANCE.</b>

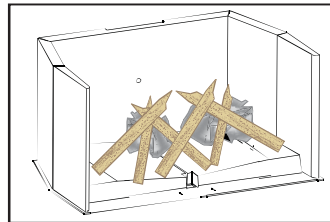
Remove all sources of gasoline or other flammable vapours and liquids in the vicinity of this or other appliances prior to lighting.

Use plenty of newspaper and kindling to ensure the appliance quickly reaches a proper temperature. Once the kindling is burning rapidly, place a few larger pieces of wood onto the fire.

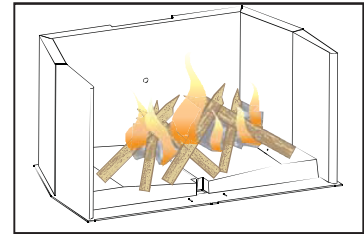
**Tip:** When first lighting a fire, if the smoke is not quickly drawn into the chimney, there may be a downdraft or cold air in the chimney. By first burning large amounts of crumpled newspaper, the chimney will get heated and the smoke will quickly vent up the chimney.



**A.** To start, a brisk fire is required. Roll up some newspaper (loosely crumpled), light it and place it near the appliance flue until the chimney begins to draw.



**B.** Cover with dry kindling.



**C.** Light the paper and when the kindling is burning add more fuel.

Draft is the force which moves air from the appliance up through the chimney. The amount of draft in your chimney depends on the length of the chimney, local geography, nearby obstructions and other forces. Inadequate draft may cause back-puffing into the room and may cause plugging of the chimney. Too much draft may cause an excessive temperature in the appliance, glowing red appliance parts or an uncontrollable burn which can all lead to a chimney fire or a permanent damage to the appliance.



- Max fuel load 60lbs (27kg).
- Max fuel height, halfway up the firebox or to the top of the first firebrick.

## 8.6 SMOKING

A properly installed appliance should not smoke. If yours does, check the following:

- Has the chimney had time to get hot?
- Is the smoke passage blocked anywhere in the appliance, chimney connector or chimney?
- Is the room too airtight and the air intake not connected to the outside? Try with a window partly open.
- Is the smoke flow impeded by too long a horizontal pipe or too many bends?
- Is it a weak draft perhaps caused by a leaky chimney, a cold outside chimney, too large a diameter of a chimney, too short a chimney, or a chimney too close to trees or a higher roof?
- Is the moisture content of the wood greater than 20%?

**DO NOT OVERFIRE THE APPLIANCE!** Overfiring can occur by burning large amounts of smaller wood pieces or vigorously burning large loads of wood for long periods of time (one or two hours).

94.1

## 8.7 RELOADING THE APPLIANCE

### ! WARNING

**BURNING WET, UNSEASONED WOOD CAN CAUSE EXCESSIVE CREOSOTE ACCUMULATION, WHICH WHEN IGNITED CAN CAUSE A CHIMNEY FIRE THAT MAY RESULT IN A SERIOUS HOUSE FIRE.**

When refuelling open the door slowly to prevent smoke spillage. Use a pair of long appliance gloves when feeding the fire. Keep a small steel shovel nearby to use as a poker and to remove ashes. Do not store wood within 4 feet (1.2m) of the appliance.

Follow the directions below to minimize smoke spillage while re-loading the appliance.

- Move the air control to high.
- Open the door slightly. Allow the airflow inside the firebox to stabilize before opening the doors fully.

## 9.0 MAINTENANCE

### 9.1 ASH REMOVAL PROCEDURES

### ! WARNING

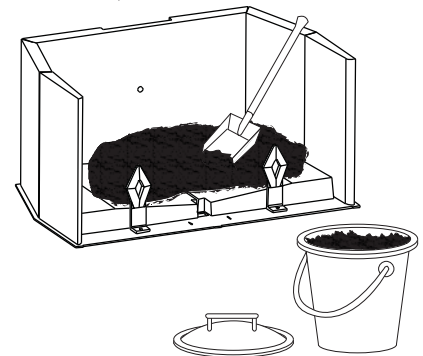
**IMPROPER DISPOSAL OF ASHES RESULT IN FIRES. DO NOT DISCARD ASHES IN CARDBOARD BOXES, DUMP IN BACK YARDS, OR STORE IN GARAGES.**

**IF USING A VACUUM TO CLEAN UP ASHES, BE SURE THE ASHES ARE ENTIRELY COOLED. USING A VACUUM TO CLEAN UP WARM ASHES COULD CAUSE A FIRE INSIDE THE VACUUM.**

A bed of ashes approximately 1" (25mm) deep should be left on the firebox bottom to help maintain a hot charcoal bed. When the fire has burned down and cooled, remove any excess ashes. To remove the ash, follow the directions below.

- After the last coal has extinguished, let the appliance cool at least two hours.
- Open the appliance doors.
- Scoop the ash from the firebox into a container with a lid. Cover the container and move the container away from the appliance onto a suitable surface to ensure the ashes cool.
- Dispose of the ashes.

**NOTE:** Ashes should be placed in a metal container with a tight-fitting lid. The closed container of ashes should be placed on a non-combustible floor or on the ground well away from all combustible materials, pending final disposal. If the ashes are disposed of by burial or in soil or otherwise locally dispersed, they should be retained in the closed container until all cinders have thoroughly cooled.



## 9.2 CREOSOTE FORMATION AND REMOVAL

When wood is burned slowly, it produces tar and other organic vapours which combine with expelled moisture to form creosote. These vapours condense in the relatively cooler chimney flue of a slow burning fire and when ignited, make an extremely hot fire. So, the smoke pipe/chimney liner and chimney should be inspected monthly during the heating season to determine if a buildup has occurred. If creosote has accumulated it should be removed to reduce the risk of a chimney fire.

---

84.1

## 9.3 RUN-AWAY OR CHIMNEY FIRE

### **WARNING**

**A CHIMNEY FIRE CAN PERMANENTLY DAMAGE YOUR CHIMNEY SYSTEM. THIS DAMAGE CAN ONLY BE REPAIRED BY REPLACING THE DAMAGED COMPONENT PARTS. CHIMNEY FIRES ARE NOT COVERED BY THE LIFETIME LIMITED WARRANTY.**

#### **CAUSES:**

- Using incorrect fuel, or small fuel pieces which would normally be used as kindling.
- Creosote build up in chimney.

#### **SOLUTIONS:**

- Do not burn treated or processed wood, coal, charcoal, coloured paper or cardboard.
- Have chimney regularly cleaned.

#### **IN CASE OF A CHIMNEY FIRE:**

- Close glass door and screen.
- Have a well understood plan for evacuation and a place outside for everyone to meet. Prepare to evacuate to ensure everyone's safety.
- Call local fire department. Have a fire extinguisher handy. Contact local authorities for further information on how to handle a chimney fire.
- After the chimney fire is out, clean and inspect the chimney or chimney liner for stress and cracks prior to lighting another fire. Also check combustibles around the chimney and the roof

---

85.2A

## 9.4 CHIMNEY CLEANING

Both the chimney and the appliance must be inspected and cleaned if necessary at least once a year. For serious wood burners, chimney cleaning must be done as needed to avoid chimney fires; the venting systems for controlled combustion appliances may need cleaning as often as once a month. These rates, however, depend on the burning habits of the individual operating the appliance. For example, it is possible to clog a solid fuel appliance chimney in a few days if slow, smoldering fires are burned and the chimney is cold.

Certain items and considerations are important in chimney cleaning:

- Proper tools should be used, including a brush specifically designed for chimney cleaning.
- The chimney dampers as well as the chimney should be cleaned.
- The appliance's firebox should be cleaned if needed.
- The chimney should be inspected and repairs made if needed, preferably by a qualified chimney sweep or mason.

## 9.5 CARE OF GLASS

If the glass is not kept clean permanent discolouration and / or blemishes may result. Normally a hot fire will clean the glass. The most common reasons for dirty glass include: not using sufficient fuel to get the appliance thoroughly hot, using green or wet wood, closing the draft so far that there is insufficient air for complete combustion.

If it is necessary to clean the glass, buff lightly with a clean dry cloth and non-abrasive cleaner.

**DO NOT CLEAN GLASS WHEN HOT!** Clean the glass after the first 10 hours of operation with a recommended appliance glass cleaner. Thereafter clean as required.

The glass is very strong but do not let burning fuel rest or fall against it and always close the door gently.  
**NEVER FORCE IT SHUT!**

If the glass should ever crack or break while the fire is burning, do not open the door until the fire is out and do not operate the appliance again until the glass has been replaced. Available from your Authorized dealer.

**DO NOT SUBSTITUTE MATERIALS.**



## 10.0 REPLACEMENTS

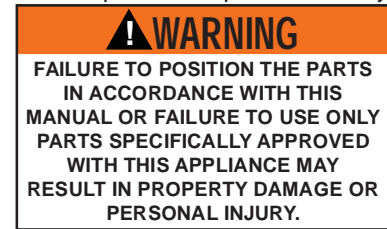
Contact your dealer or the factory for questions concerning prices and policies on replacement parts. Normally all parts can be ordered through your Authorized dealer / distributor.

**FOR WARRANTY REPLACEMENT PARTS, A PHOTOCOPY OF THE ORIGINAL INVOICE WILL BE REQUIRED TO HONOUR THE CLAIM.**

When ordering replacement parts always give the following information:

- Model and serial number of appliance
- Installation date of appliance
- Part number
- Description of part
- Finish

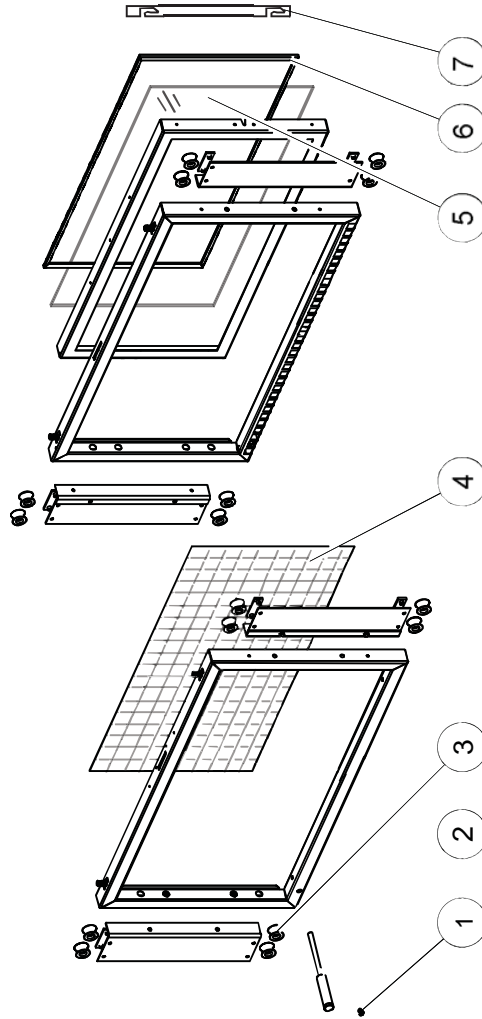
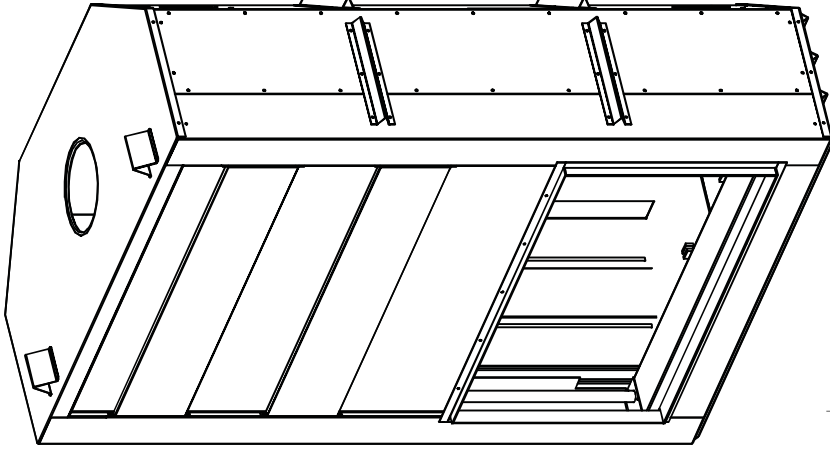
**FOR FURTHER INFORMATION, CONTACT YOUR AUTHORIZED DEALER.**



---

41.1

# NZ7000 OVERVIEW

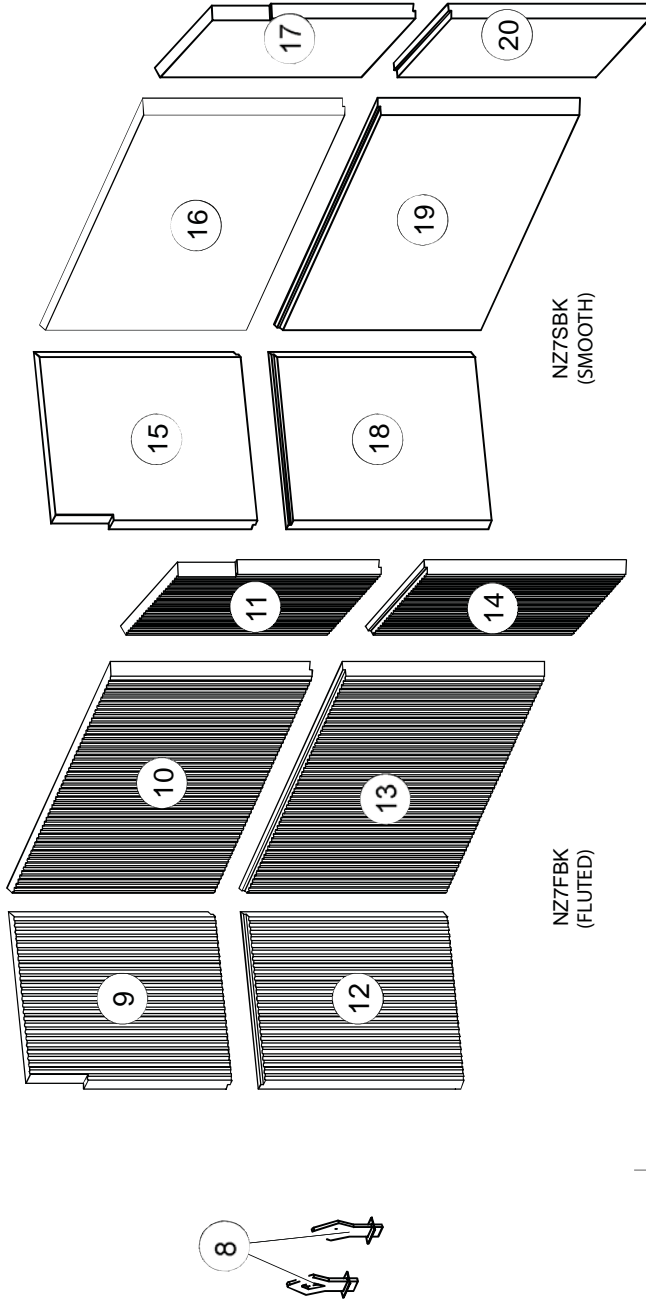


ITEMS MAY NOT APPEAR EXACTLY AS ILLUSTRATED

REF NO.	PART NUMBER	DESCRIPTION	STOCKED
1	W385-0334	NAPOLEON LOGO	YES
2	W325-0086	HANDLE	
3	W560-0001	SHEAVE ROLLER (X16)	
4	W565-0183	SCREEN	
5	W300-0196	GLASS, DOOR (CERAMIC 5MM) 40.875"X19.250"	
6	W562-0062	DOOR GASKET	
7	W740-0006	DOOR ADJUSTMENT	



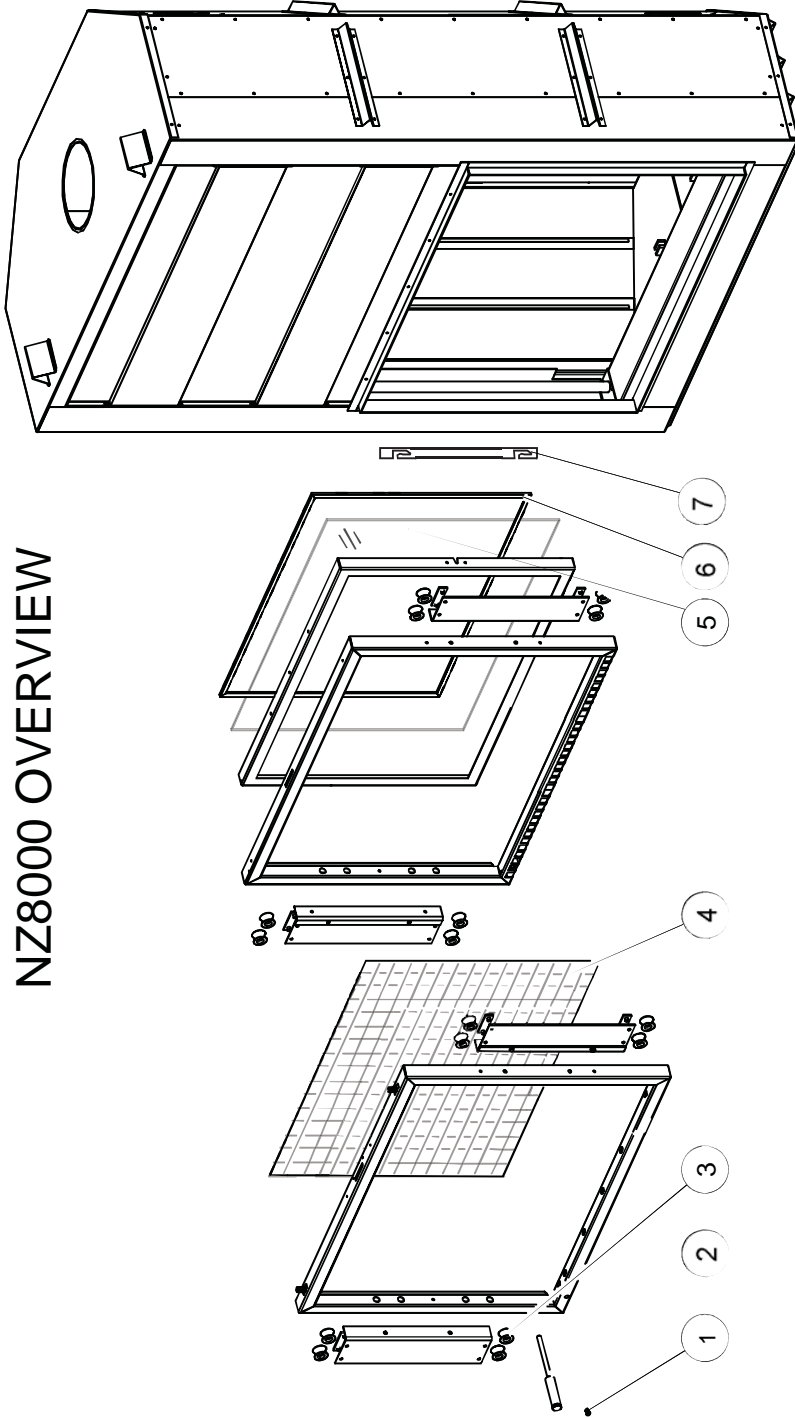
# NZ7000 ACCESSORIES



ITEMS MAY NOT APPEAR EXACTLY AS ILLUSTRATED

REF NO.	PART NUMBER	DESCRIPTION	STOCKED
8	W715-1010	ANDIRON (X2)	
9	W090-0286	TOP, RIGHT SIDE FLUTED BRICK PANEL (NZ7FBK)	
10	W090-0279	TOP, CENTRE FLUTED BRICK PANEL (NZ7FBK)	
11	W090-0285	TOP, LEFT SIDE FLUTED BRICK PANEL (NZ7FBK)	
12	W090-0288	BOTTOM, RIGHT SIDE FLUTED BRICK PANEL (NZ7FBK)	
13	W090-0281	BOTTOM, CENTRE FLUTED BRICK PANEL (NZ7FBK)	
14	W090-0282	BOTTOM, LEFT SIDE FLUTED BRICK PANEL (NZ7FBK)	
15	W090-0287	TOP, LEFT SIDE BRICK PANEL (NZ7SBK)	
16	W090-0280	TOP, CENTRE BRICK PANEL (NZ7SBK)	
17	W090-0284	TOP, RIGHT SIDE BRICK PANEL (NZ7SBK)	
18	W090-0251	BOTTOM, LEFT SIDE BRICK PANEL (NZ7SBK)	
19	W090-0250	BOTTOM, CENTRE BRICK PANEL (NZ7SBK)	
20	W090-0283	BOTTOM, RIGHT SIDE BRICK PANEL (NZ7SBK)	

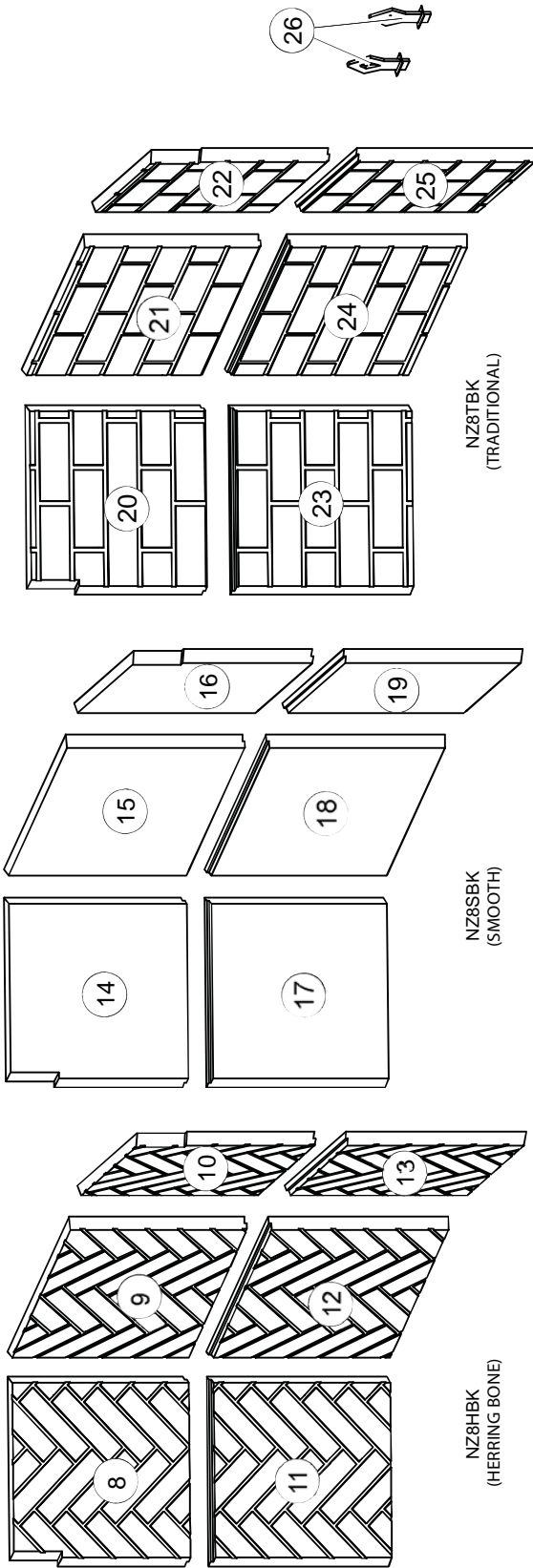
# NZ8000 OVERVIEW



ITEMS MAY NOT APPEAR EXACTLY AS ILLUSTRATED

REF NO.	PART NUMBER	DESCRIPTION	STOCKED
1	W385-0334	NAPOLEON LOGO	YES
2	W325-0086	HANDLE	
3	W560-0001	SHEAVE ROLLER (x16)	
4	W565-0182	SCREEN	
5	W300-0191	GLASS, DOOR (CERAMIC 5MM) 40.875"X28.625"	
6	W562-0062	DOOR GASKET	
7	W740-0006	DOOR ADJUSTMENT	

# NZ8000 ACCESSORIES

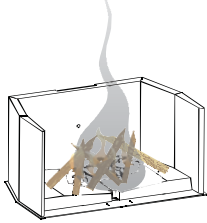
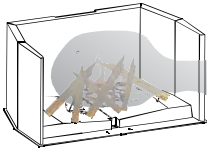


ITEMS MAY NOT APPEAR EXACTLY AS ILLUSTRATED

REF NO.	PART NUMBER	DESCRIPTION	STOCKED
8	W090-0264	TOP, LEFT SIDE HERRINGBONE BRICK PANEL (NZ8HBK)	
9	W090-0260	TOP, CENTRE HERRINGBONE BRICK PANEL (NZ8HBK)	
10	W090-0263	TOP, RIGHT SIDE HERRINGBONE BRICK PANEL (NZ8HBK)	
11	W090-0265	BOTTOM, LEFT SIDE HERRINGBONE BRICK PANEL (NZ8HBK)	
12	W090-0261	BOTTOM, CENTRE HERRINGBONE BRICK PANEL (NZ8HBK)	
13	W090-0262	BOTTOM, RIGHT SIDE HERRINGBONE BRICK PANEL (NZ8HBK)	
14	W090-0274	TOP, LEFT SIDE BRICK PANEL (NZ8SBK)	
15	W090-0275	TOP, CENTRE BRICK PANEL (NZ8SBK)	
16	W090-0272	TOP, LEFT SIDE BRICK PANEL (NZ8SBK)	
17	W090-0240	BOTTOM, LEFT SIDE BRICK PANEL (NZ8SBK)	
18	W090-0239	BOTTOM, CENTRE BRICK PANEL (NZ8SBK)	
19	W090-0273	BOTTOM, RIGHT SIDE BRICK PANEL (NZ8SBK)	
20	W090-0270	TOP, LEFT SIDE BRICK PANEL (NZ8TBK)	
21	W090-0266	BOTTOM, CENTRE BRICK PANEL (NZ8TBK)	
22	W090-0268	TOP, RIGHT SIDE BRICK PANEL (NZ8TBK)	
23	W090-0271	BOTTOM, LEFT SIDE BRICK PANEL (NZ8TBK)	
24	W090-0267	BOTTOM, CENTRE BRICK PANEL (NZ8TBK)	
25	W090-0269	BOTTOM, RIGHT SIDE BRICK PANEL (NZ8TBK)	
26	W715-1010	ANDIRON (X2)	

## 11.0 TROUBLESHOOTING

SYMPTOM	PROBLEM	TEST SOLUTION
Smoke enters the room during start-up.	Damper in closed position.	- Open damper.
	Cold air blockage in chimney	- Burn a piece of newspaper to establish a draft.
	Close the doors.	- Open outside air control damper.
Smoke enters the room while re-loading.	Damper in closed position	- Open damper.
	Insufficient draft.	- Chimney height and outside conditions can negatively affect draft. In these cases a small amount of smoke may enter the home. Adding more pipe or a draft-inducing cap may help. - Clean chimney
Appliance smoking.	Damper in closed position	- Open damper.
	Chimney cold	- Burn a piece of paper to establish a draft, fuel as necessary to establish a hot flame.
	Inadequate supply of combustion air	- Chimney height and outside conditions can negatively affect draft. In these cases a small amount of smoke may enter the home. Adding more pipe or a draft-inducing cap may help.
	The outside air damper opened.	- Close damper.
	The smoke passage is blocked in the appliance or chimney.	- Check chimney for blockage and clear if necessary.
	The smoke flow impeded by too long of a horizontal pipe or too many bends.	- Refer to "TYPICAL CHIMNEY INSTALLATION" section for proper chimney bends.
	A weak draft perhaps caused by a leaky chimney, a cold outside chimney, too short a chimney, or a chimney too close to a tree or a higher roof.	- Chimney height and outside conditions can negatively affect draft. In these cases a small amount of smoke may enter the home. Adding more pipe or a draft-inducing cap may help. Refer to "TYPICAL CHIMNEY INSTALLATION" section for proper chimney bends.



## 12.0 WARRANTY

NAPOLEON products are manufactured under the strict Standard of the world recognized ISO 9001 : 2008 Quality Assurance Certificate.

NAPOLEON products are designed with superior components and materials, assembled by trained craftsmen who take great pride in their work. The complete appliance is again thoroughly inspected by a qualified technician before packaging to ensure that you, the customer, receives the quality product that you expect from NAPOLEON.

### NAPOLEON WOOD APPLIANCE PRESIDENT'S LIFETIME LIMITED WARRANTY

The following materials and workmanship in your new NAPOLEON wood appliance are warranted against defects for as long as you own the appliance. This covers: combustion chamber, heat exchanger, ceramic glass (thermal breakage only), gold plated parts against tarnishing, porcelainized enameled components, aluminum extrusion trims, vortex baffles, ash drawer and iron castings.

Electrical (110V) components and wearable parts such as blowers, thermal switch, switches, wiring, firebrick, stainless steel baffle retainer, secondary air tubes, and gasketing are covered and NAPOLEON will provide replacement parts free of charge during the first year of the limited warranty. \*

Labour related to warranty repair is covered free of charge during the first year. Repair work, however, requires the prior approval of an authorized company official. Labour costs to the account of NAPOLEON are based on a predetermined rate schedule and any repair work must be done through an authorized NAPOLEON dealer.

Parts such as firebricks and baffles should routinely be removed by the operator as part of the regular service and therefore, any warranty replacement of these parts does not qualify for any labour allowances.

\* Construction of models vary. Warranty applies only to components included with your specific appliance.

### CONDITIONS AND LIMITATIONS

NAPOLEON® warrants its products against manufacturing defects to the original purchaser only. Registering your warranty is not necessary. Simply provide your proof of purchase along with the model and serial number to make a warranty claim. Provided that the purchase was made through an authorized NAPOLEON® dealer your appliance is subject to the following conditions and limitations:

Warranty coverage begins on the date of original installation.

This factory warranty is non-transferable and may not be extended whatsoever by any of our representatives.

The wood appliance must be installed by an authorized service technician or contractor. Installation must be done in accordance with the installation instructions included with the product and all local and national building and fire codes.

This limited warranty does not cover damages caused by misuse, lack of maintenance, accident, alterations, abuse or neglect and parts installed from other manufacturers will nullify this warranty.

This limited warranty further does not cover any scratches, dents, corrosion or discoloring caused by excessive heat, abrasive and chemical cleaners nor chipping on porcelain enamel parts, nor any venting components used in the installation of the appliance.

This warranty extends to the repair or replacement of warranted parts which are defective in material or workmanship provided that the product has been operated in accordance with the operation instructions and under normal conditions.

After the first year, with respect to the President's Lifetime Limited Warranty, NAPOLEON may, at its discretion, fully discharge all obligations with respect to this warranty by refunding to the original warranted purchaser the wholesale price of any warranted but defective part(s).

After the first year, NAPOLEON will not be responsible for installation, labour or any other costs or expenses related to the reinstallation of a warranted part, and such expenses are not covered by this warranty.

Notwithstanding any provisions contained in the President's Lifetime Limited Warranty, NAPOLEON's responsibility under this warranty is defined as above and it shall not in any event extend to any incidental, consequential or indirect damages.

This warranty defines the obligations and liability of NAPOLEON with respect to the NAPOLEON wood appliance and any other warranties expressed or implied with respect to this product, its components or accessories are excluded.

NAPOLEON neither assumes, nor authorizes any third party to assume, on its behalf, any other liabilities with respect to the sale of this product.

NAPOLEON will not be responsible for: over-firing, downdrafts, spillage caused by environmental conditions such as rooftops, buildings, nearby trees, hills, mountains, inadequate vents or ventilation, excessive venting configurations, insufficient makeup air, or negative air pressures which may or may not be caused by mechanical systems such as exhaust fans, furnaces, clothes dryers, etc.

Any damages to appliance, combustion chamber, heat exchanger, plated trim or other component due to water, weather damage, long periods of dampness, condensation, damaging chemicals or cleaners will not be the responsibility of NAPOLEON.

NAPOLEON reserves the right to have its representative inspect any product or part thereof prior to honouring any warranty claim.

All parts replaced under the President's Limited Lifetime Warranty Policy are subject to a single claim.

During the first 10 years NAPOLEON will replace or repair the defective parts covered by the lifetime warranty at our discretion free of charge. From 10 years to life, NAPOLEON will provide replacement parts at 50% of the current retail price.

All parts replaced under the warranty will be covered for a period of 90 days from the date of their installation.

The manufacturer may require that defective parts or products be returned or that digital pictures be provided to support the claim. Returned products are to be shipped prepaid to the manufacturer for investigation. If a product is found to be defective, the manufacturer will repair or replace such defect.

Before shipping your appliance or defective components, your dealer must obtain an authorization number. Any merchandise shipped without authorization will be refused and returned to sender.

Shipping costs are not covered under this warranty.

Additional service fees may apply if you are seeking warranty service from a dealer.

Warranty labour allowance is only for the replacement of the warranted part. Travel, diagnostic tests, shipping and other related charges are not covered by this warranty.

ALL SPECIFICATIONS AND DESIGNS ARE SUBJECT TO CHANGE WITHOUT PRIOR NOTICE DUE TO ON-GOING PRODUCT IMPROVEMENTS. NAPOLEON IS A REGISTERED TRADEMARK OF WOLF STEEL LTD.

2.2C

Other Napoleon Products



Fireplace Inserts • Charcoal Grills • Gas Fireplaces • Waterfalls • Wood Stoves  
Heating & Cooling • Electric Fireplaces • Outdoor Fireplaces • Gas Grills



24 Napoleon Road, Barrie, Ontario, Canada L4M 0G8  
214 Bayview Drive, Barrie, Ontario, Canada L4N 4Y8  
103 Miller Drive, Crittenden, Kentucky, USA 41030  
7200 Trans Canada Highway, Montreal, Quebec, Canada H4T 1A3

Fireplaces / Heating & Cooling call: 705-721-1212 • Grills call: 705-726-4278  
napoleonproducts.com